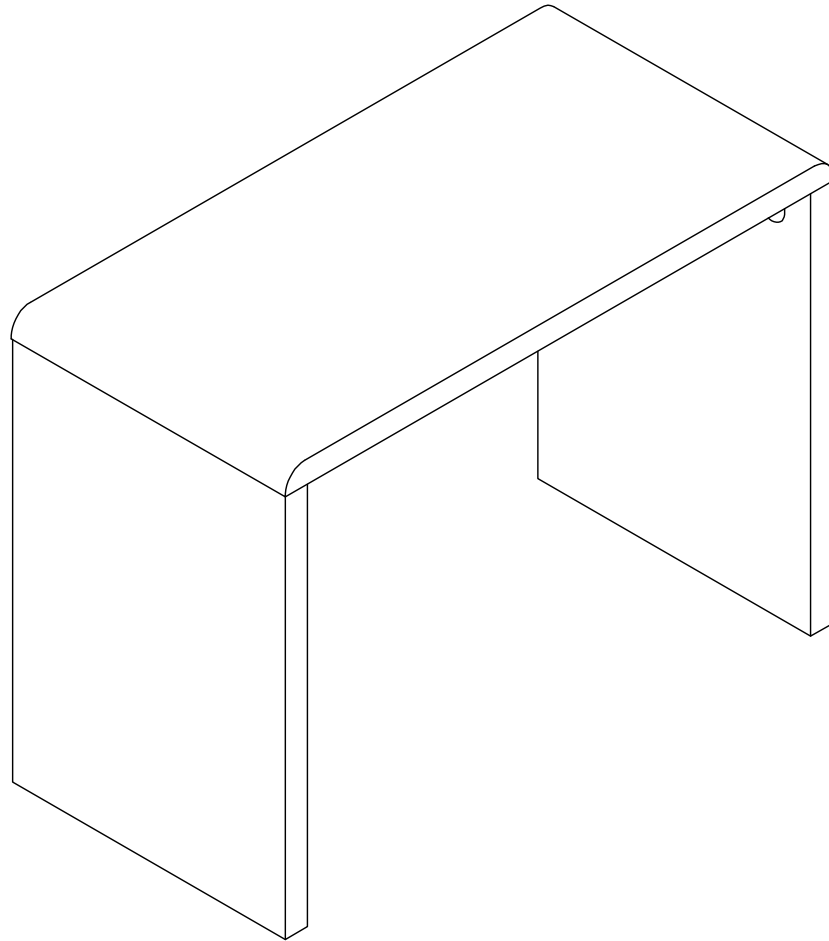


# Assembly Instructions

## ACE

### Small desk



**jar**  
Furniture

---

# WARNING

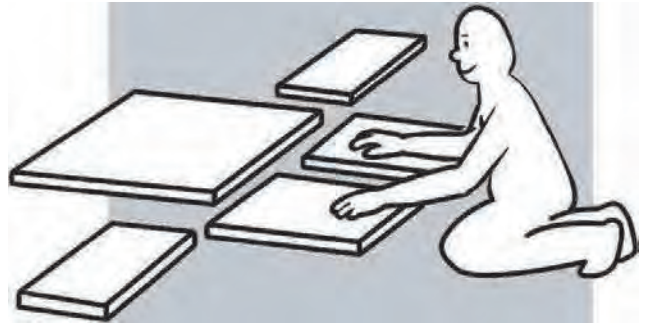
FAILURE TO FOLLOW THESE BASIC STEPS CAN LEAD TO DAMAGE THAT IS NOT COVERED BY YOUR WARRANTY

1



Read Instructions carefully. Check no parts are missing.

2



Lay out all of the components on a soft surface as if you were preparing to do a jigsaw puzzle.

3



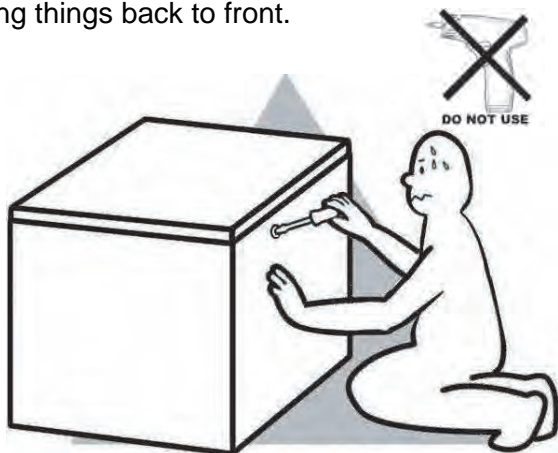
Carefully identify each component, especially those that are similar. The most common mistake is getting things back to front.

4



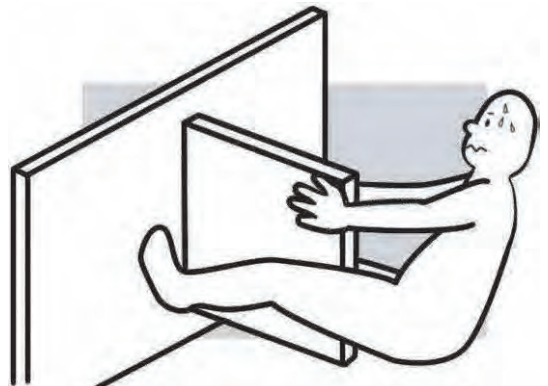
Separate and identify each component from the hardware pack and rest each one in its proper location before fastening.

5



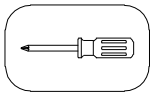
**DO NOT** fully tighten screws (leave slightly loose). When the item is fully assembled tighten the screws - but do not over tighten.

6

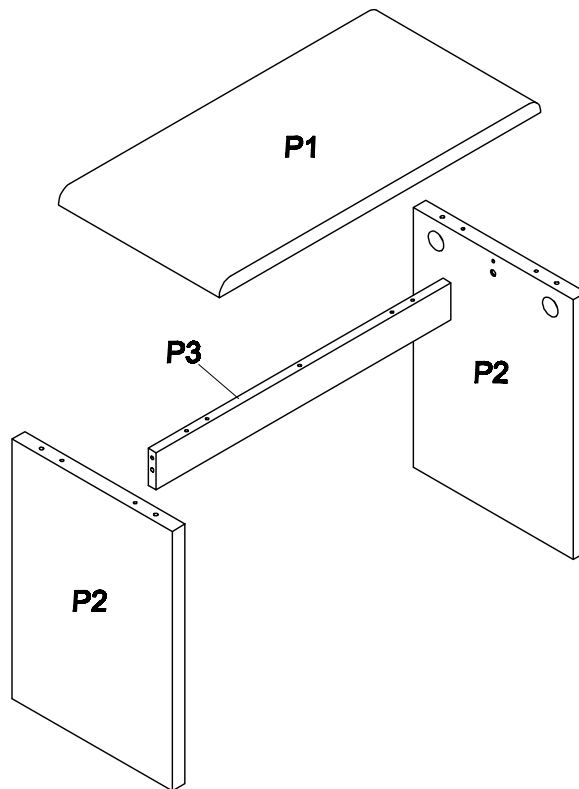


If glue is required **DO NOT** set until you are certain that the parts belong together.

# What you Need



1 x Phillips head  
screwdriver To Assemble the Body  
(Not Provided)



3 x Cam Bolts  
(H1)



8 x Dowels  
(H2)



3 x Cam Nuts  
(H3)



6 x Bolts  
(H4)



6 x Half-Round  
Fastener (H5)



6 x Nuts  
(H6)





1 x Spanner  
(H7)

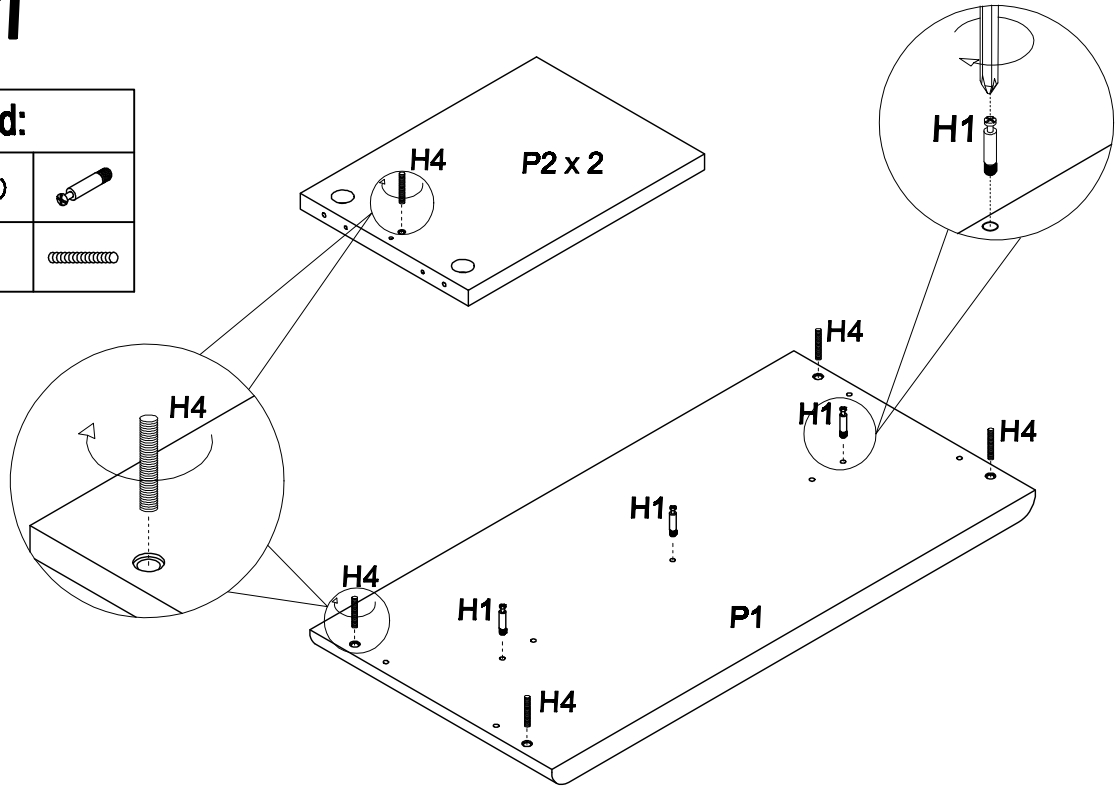


6 x Covers  
(H8)

Please make sure you have all these parts before you start.

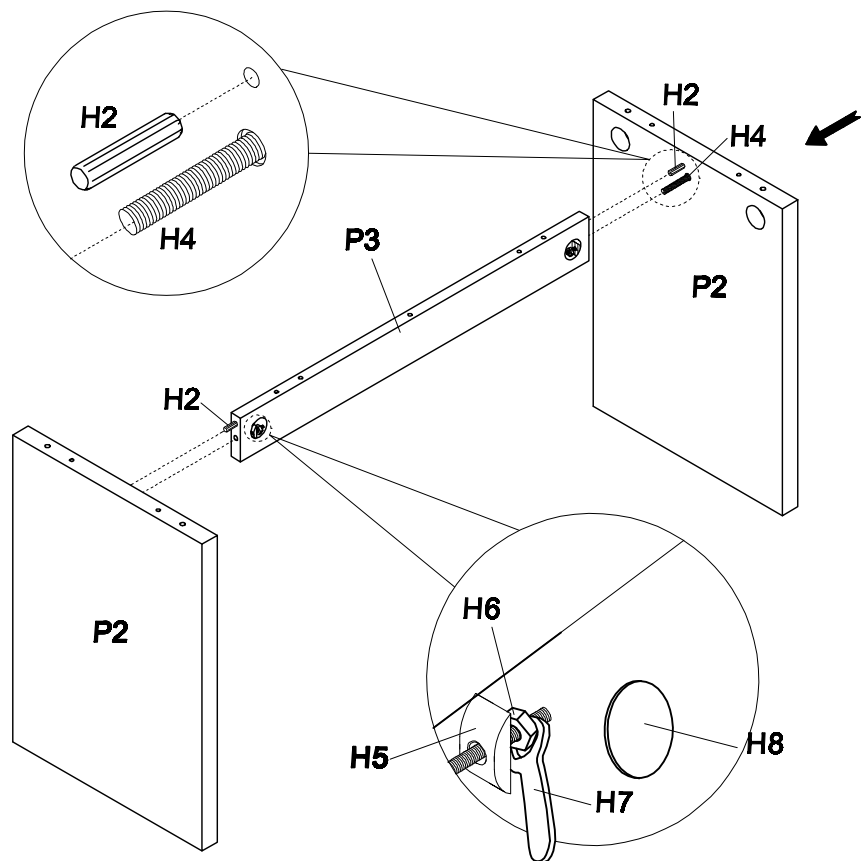
# Step 1

You will need:	
3 x Cam Bolts (H1)	
6 x Bolts (H4)	



# Step 2

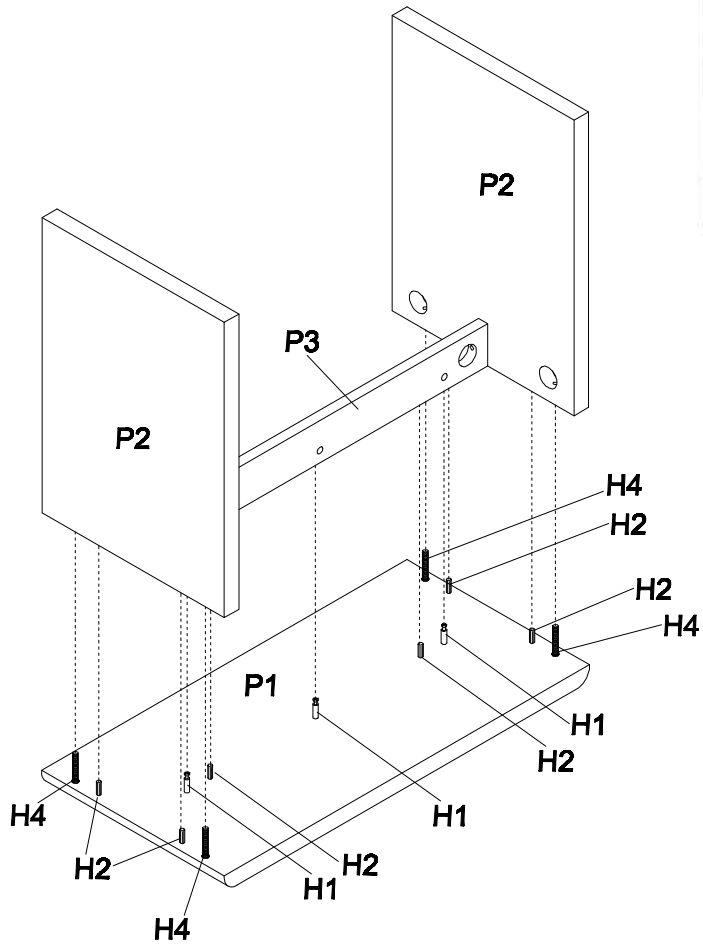
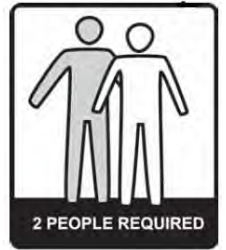
You will need:	
2 x Dowels (H2)	
2 x Half-Round Fastener (H5)	
2 x Nuts (H6)	
1 x Spanner (H7)	
2 x Covers (H8)	



# Step 3

You will need:

6 x Dowels (H2)



# Step 4

You will need:

4 x Half-Round Fastener (H5)



4 x Nuts (H6)



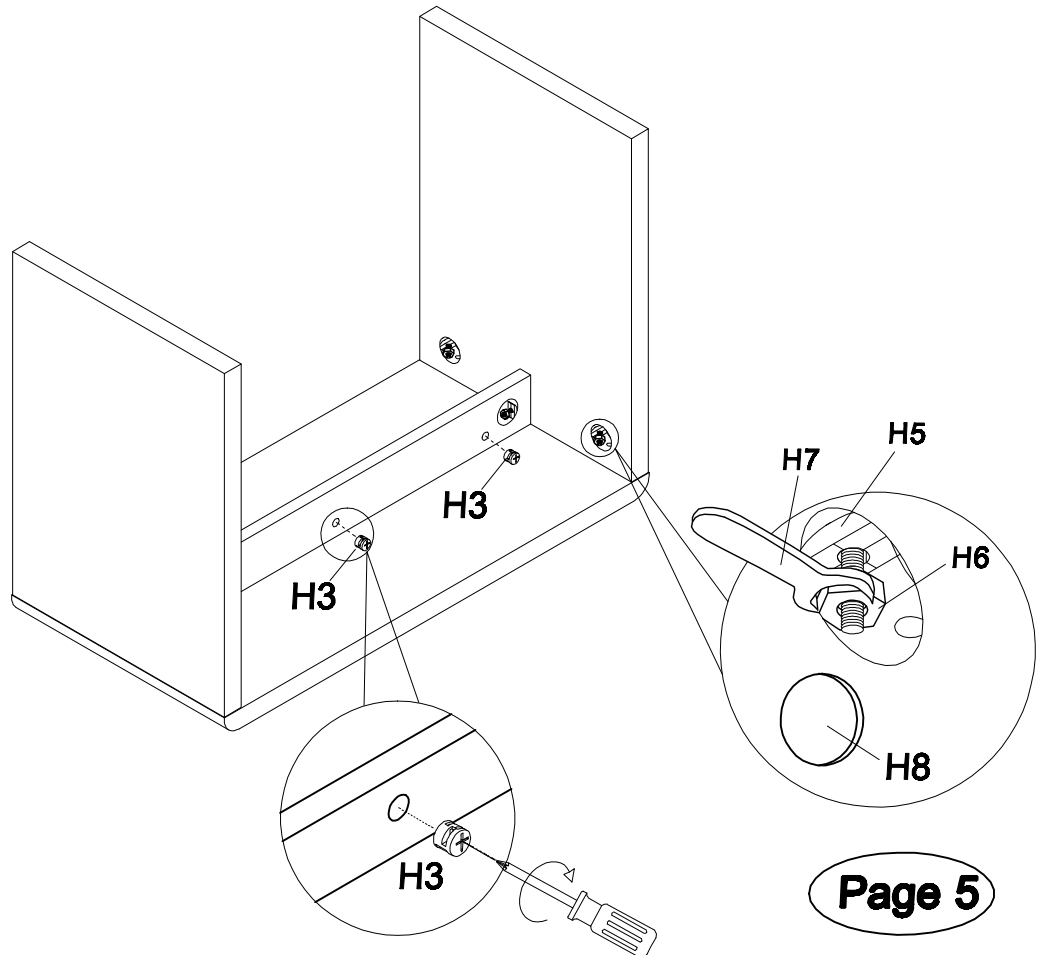
1 x Spanner (H7)

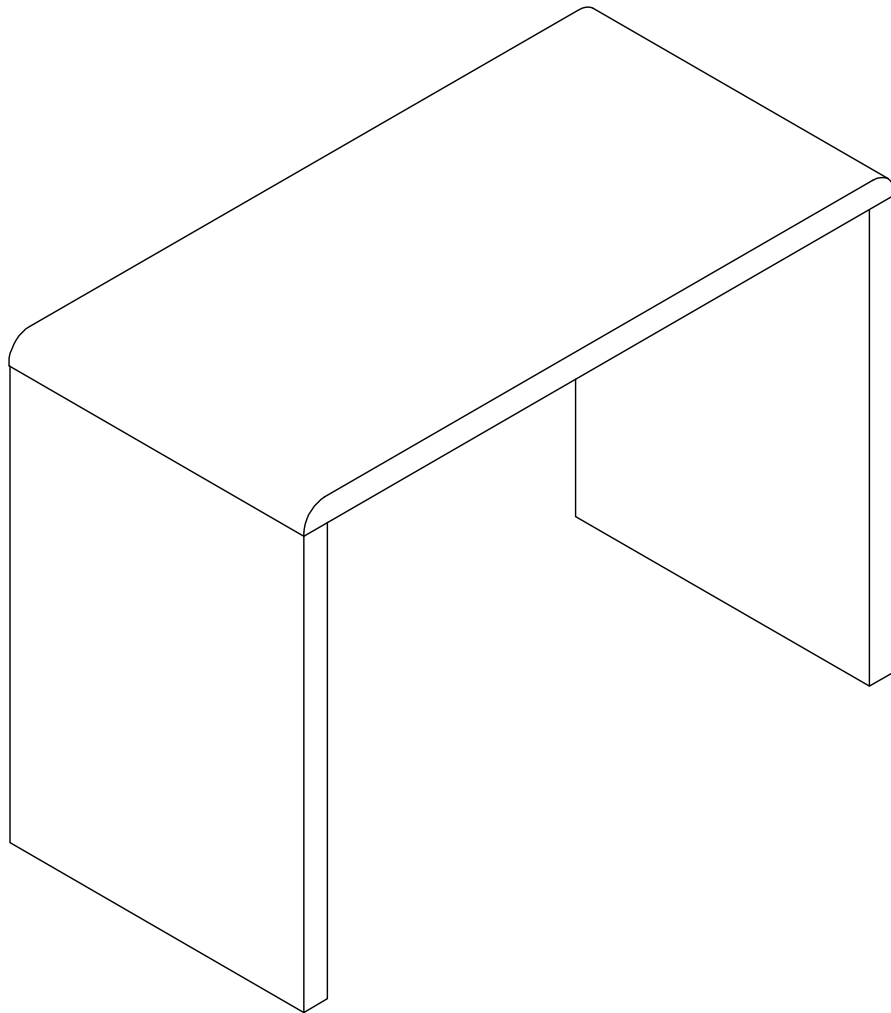


4 x Covers (H8)



3 x Cam Nuts (H3)





**The job is complete!**  
**In the interest of our environment**  
**Please dispose of all packaging thoughtfully.**