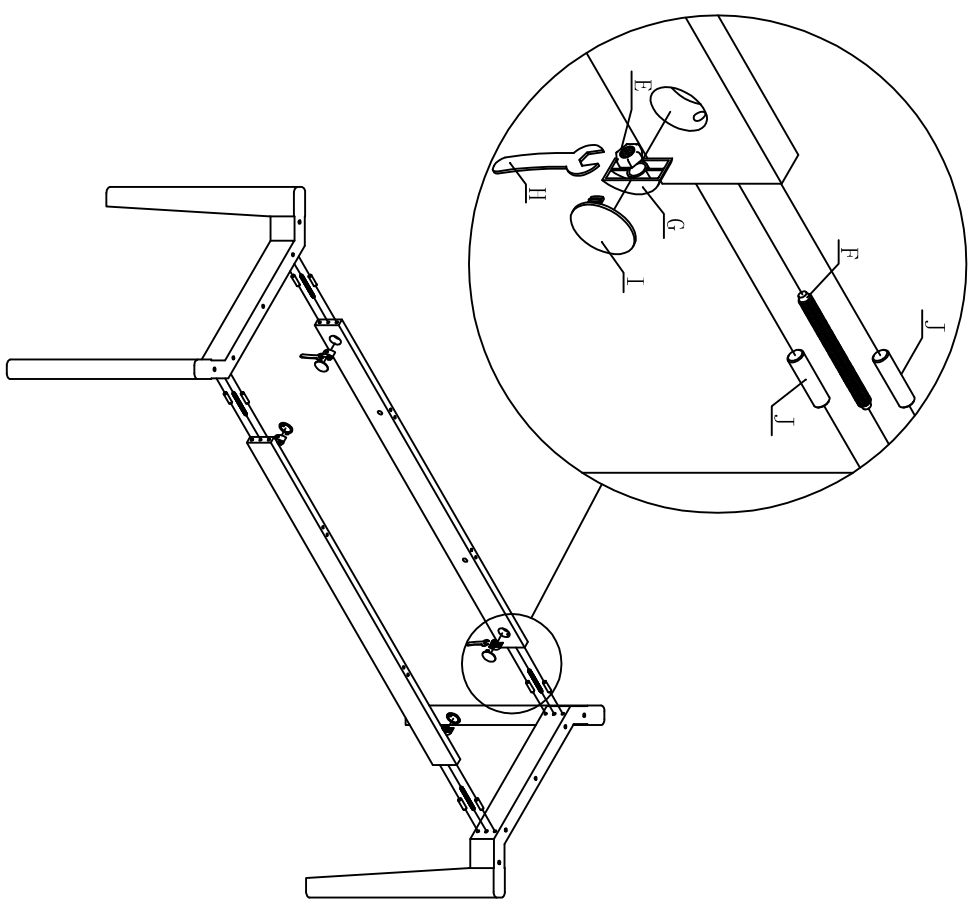


SETTING FITTINGS

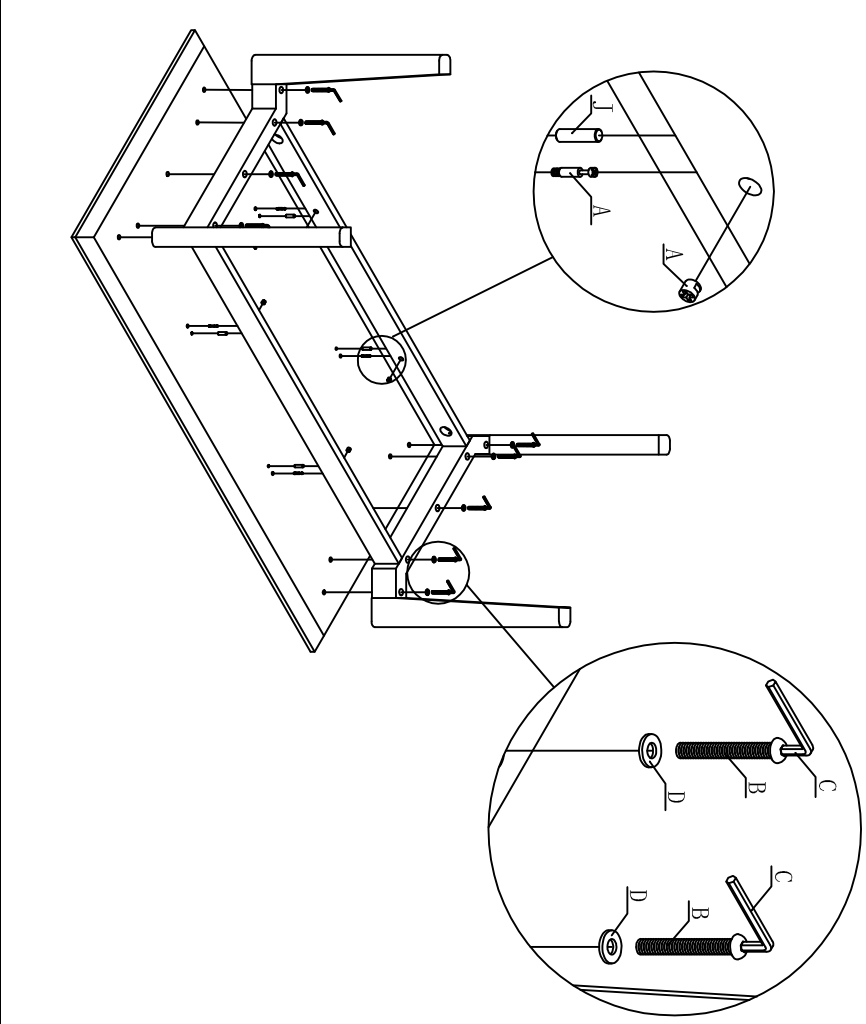
DR-229T1.8

FITTING	SPEC.	AMOUNT	FITTING	SPEC.	AMOUNT
A	φ 15	4SETS	B	M8*105	10PCS
C	6mm	1PC	D	φ 17*φ 8*1	10PCS
E	M8	4PCS	F	M8*95	4PCS
G		4PCS	H	14mm	1PC
I	φ 38	4PCS	J	φ 8*30	12PCS

STEP 1



STEP 2



STEP 3

