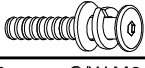
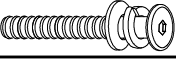

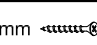


# ASSEMBLY INSTRUCTIONS

## MODEL : ALASKA DINING CHAIR

**IMPORTANT NOTE :**

- \* PLACE ALL WOODEN PARTS ON A CLEAN AND SMOOTH SURFACE SUCH AS A RUG OR CARPET TO AVOID THE PARTS FROM BEING SCRATCHED.
- \* BEFORE YOU BEGIN, KINDLY FOLLOW THE ASSEMBLY INSTRUCTIONS STEP BY STEP.
- \* DO NOT TIGHTEN ALL SCREWS UNTIL THE CHAIR IS FULLY SET-UP.

HARDWARE LIST		PART LIST			
A	JCBC M6 x 30mm + S/W M6 + F/W M6 x 13mm 	4PCS	1	LEG FRAME ( LEFT )	1PC
			2	LEG FRAME ( RIGHT )	1PC
B	JCBC M6 x 50mm + S/W M6 + F/W M6 x 13mm 	2PCS	3	FRONT RAIL	1PC
			4	BACK RAIL	1PC
C	ALLEN KEY M4 	1PC	5	TOP REST	1PC
D	FH SCREW # 8 x 32mm 	7PCS	6	CUSHION CHAIR	1PC

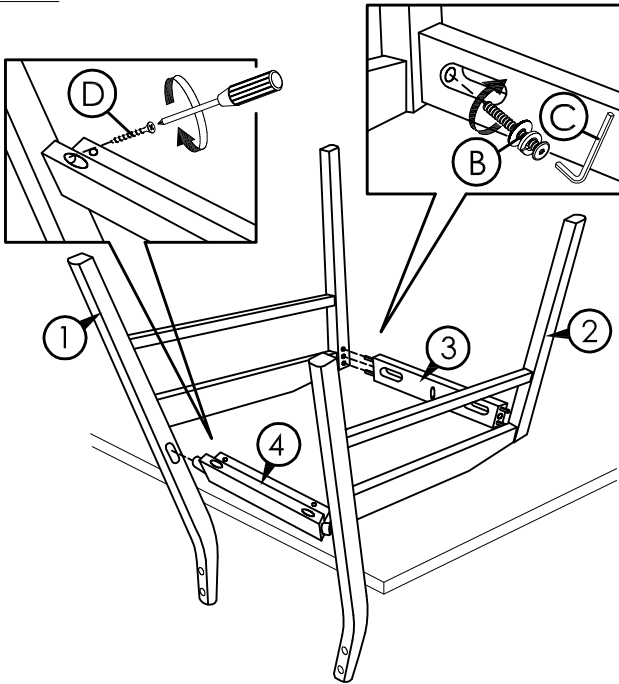
### CAUTIONS :

( 1 ) DO NOT FULLY-TIGHTEN THE NUT OR NUT BOLTS INITIALLY UNTIL ALL NUTS OR BOLT IS READY ASSEMBLED.

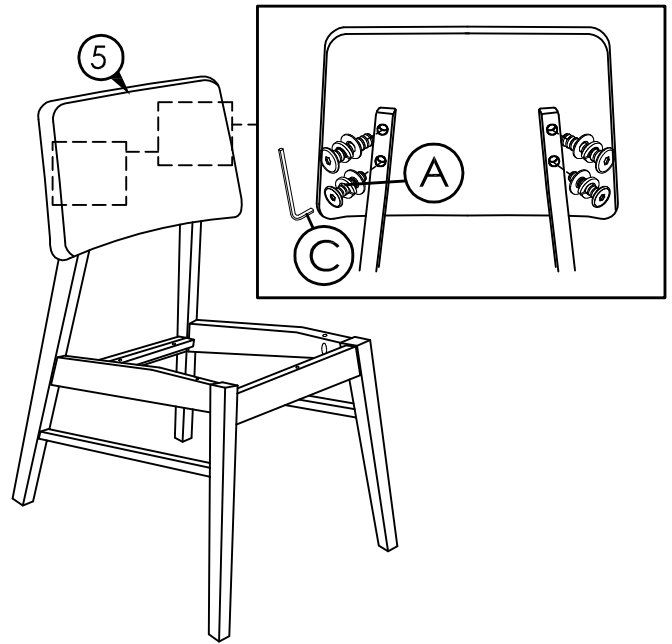
( TO AVOID CAUSING DAMAGES TO THE THREAD, DO NOT OVER-TIGHTEN THE NUTS OR BOLTS. )

( 2 ) KEEP ALL HARDWARE PART OUT OF REACH OF CHILDREN.

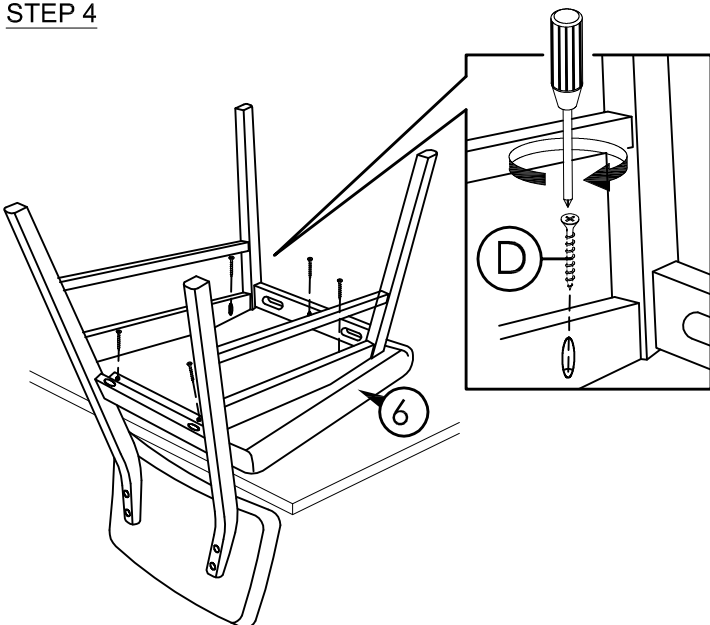
### STEP 1



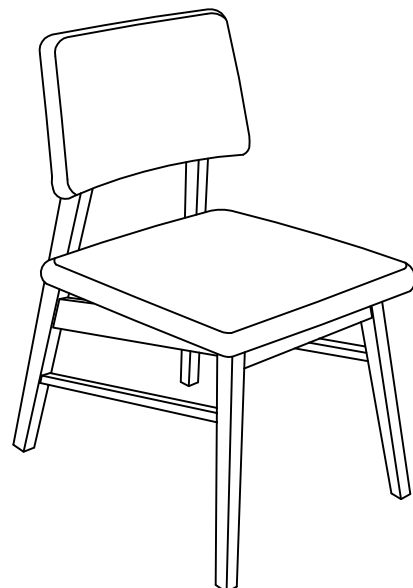
### STEP 2



### STEP 4



### STEP 4



COMPLETED CHAIR ASSEMBLY.