

# ASSEMBLY INSTRUCTIONS

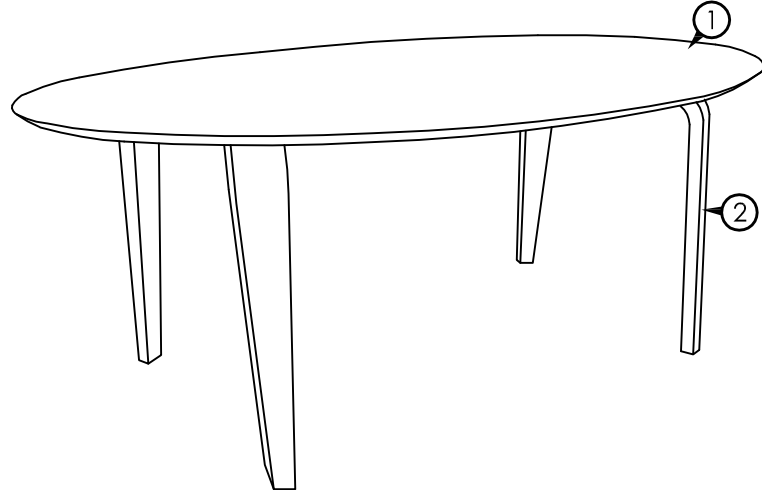
## MODEL : BETTEY DINING TABLE

### IMPORTANT NOTE :

- \* PLACE ALL WOODEN PARTS ON A CLEAN AND SMOOTH SURFACE SUCH AS A RUG OR CARPET TO AVOID THE PARTS FROM BEING SCRATCHED.
- \* BEFORE YOU BEGIN, KINDLY FOLLOW THE ASSEMBLY INSTRUCTIONS STEP BY STEP.

### HARDWARE LIST

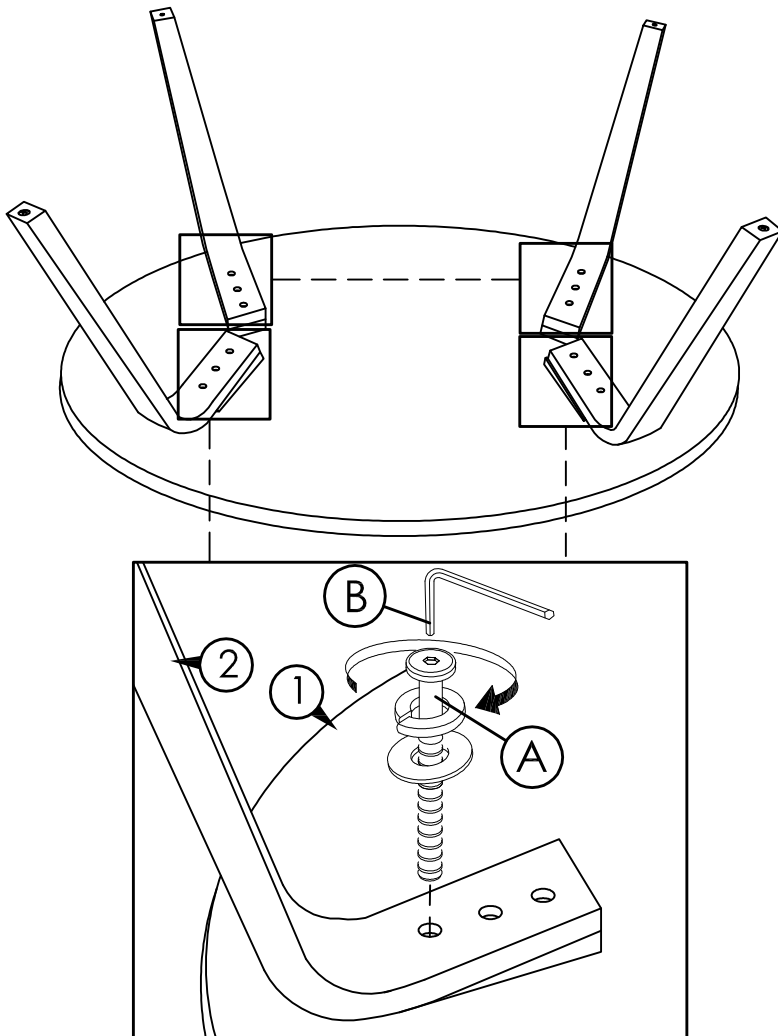
A	JCBB M8 x 60mm + S/W 5/16" + F/W 5/16" x 22mm	12PCS
B	ALLEN KEY M5	1PC



### PART LIST

1	TABLE TOP	1PC
2	TABLE LEG	4PCS

### COMPLETED TABLE ASSEMBLY.



### INSTRUCTION :-

( STEP 1 )

Place Table Top (1) face down on a clean and flat surface to prevent from being scratched.

( STEP 2 )

Position Table Leg (2) with D-Nut holes facing to Support Block holes of Table Frame , then insert JCBB Screw (A) + Spring Washer + Flat Washer then tighten with Allen Key (B) provided.

( STEP 3 )

Repeat Step 2 for other 3 legs assembly.

( STEP 4 )

Revert the table for completion of table assembly.