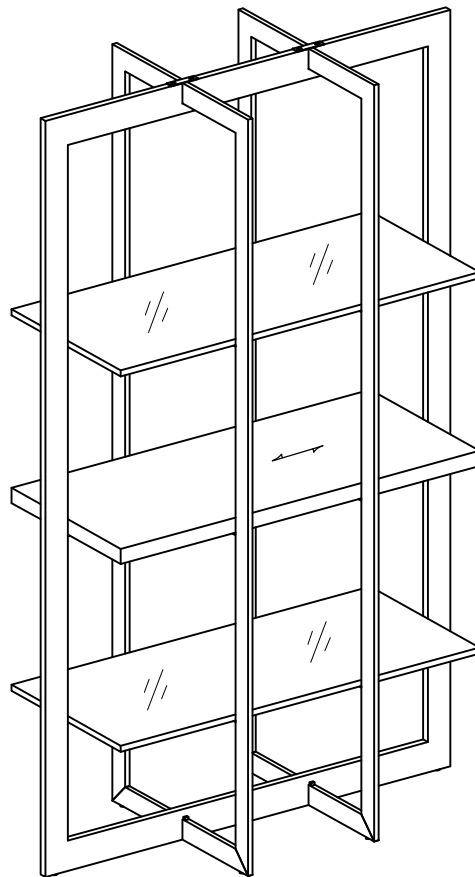


# Assembly Instructions

# ATOKA

## Bookcase



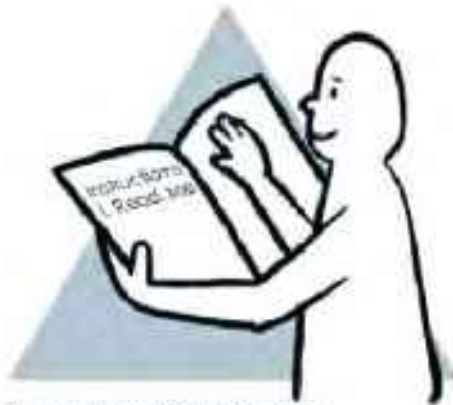
MAXIMUM LOADING ABILITY OF THE TABLE IS 60KGS.  
**IMPORTANT NOTICE: THIS TABLE IS NOT  
DESIGNED TO BE STOOD ON BY ANYONE!!**



# WARNING

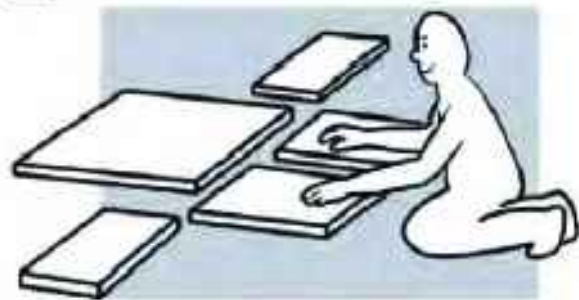
FAILURE TO FOLLOW THESE BASIC STEPS CAN LEAD TO DAMAGE THAT IS NOT COVERED BY YOUR WARRANTY

1



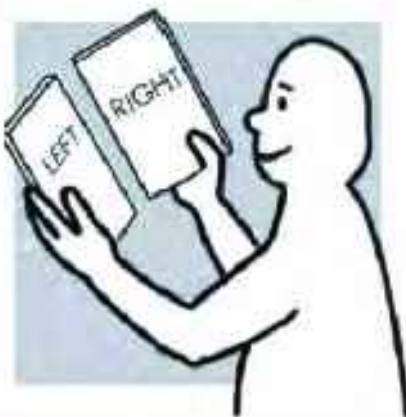
Read Instructions carefully. Check no parts are missing.

2



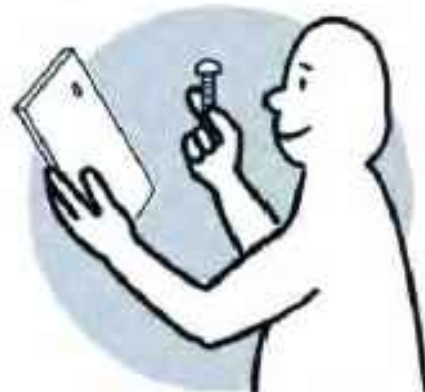
Lay out all of the components on a soft surface as if you were preparing to do a jigsaw puzzle.

3



Carefully identify each component, especially those that are similar. The most common mistake is getting things back to front.

4



Separate and identify each component from the hardware pack and rest each one in its proper location before fastening.

5



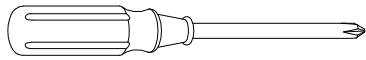
**DO NOT** fully tighten screws (leave slightly loose). When the item is fully assembled tighten the screws - but do not over tighten.

6

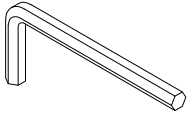


If glue is required **DO NOT** set until you are certain that the parts belong together.

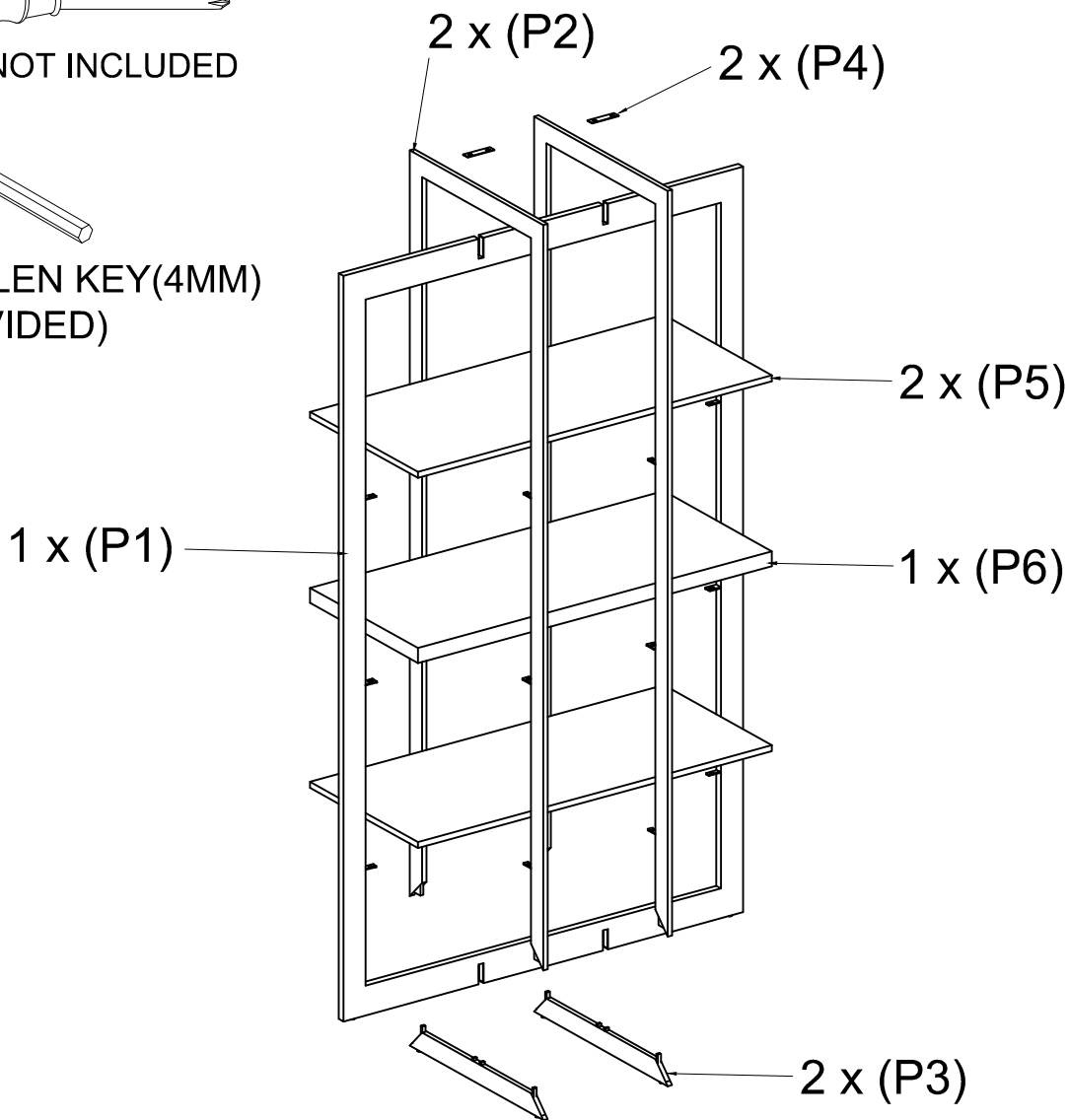
# WHAT YOU NEED




TOOLS NOT INCLUDED





1 x ALLEN KEY(4MM)  
(PROVIDED)





## SCREWS(mm)


  
8 x (M5\*20)  
(H1)

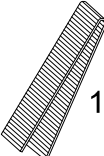
  
12x(Ø13\*3/Ø6\*7)  
(H2)

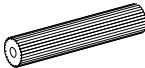
  
6x(M6\*20)  
(H3)

  
1x(M4x16)  
(H4)


  
1x(M4x25)  
(H5)

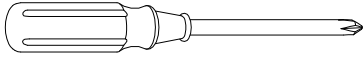
  
2x(Ø12\*Ø4\*1.5)  
(H6)

  
1x(20\*1.5\*200)  
(H7)

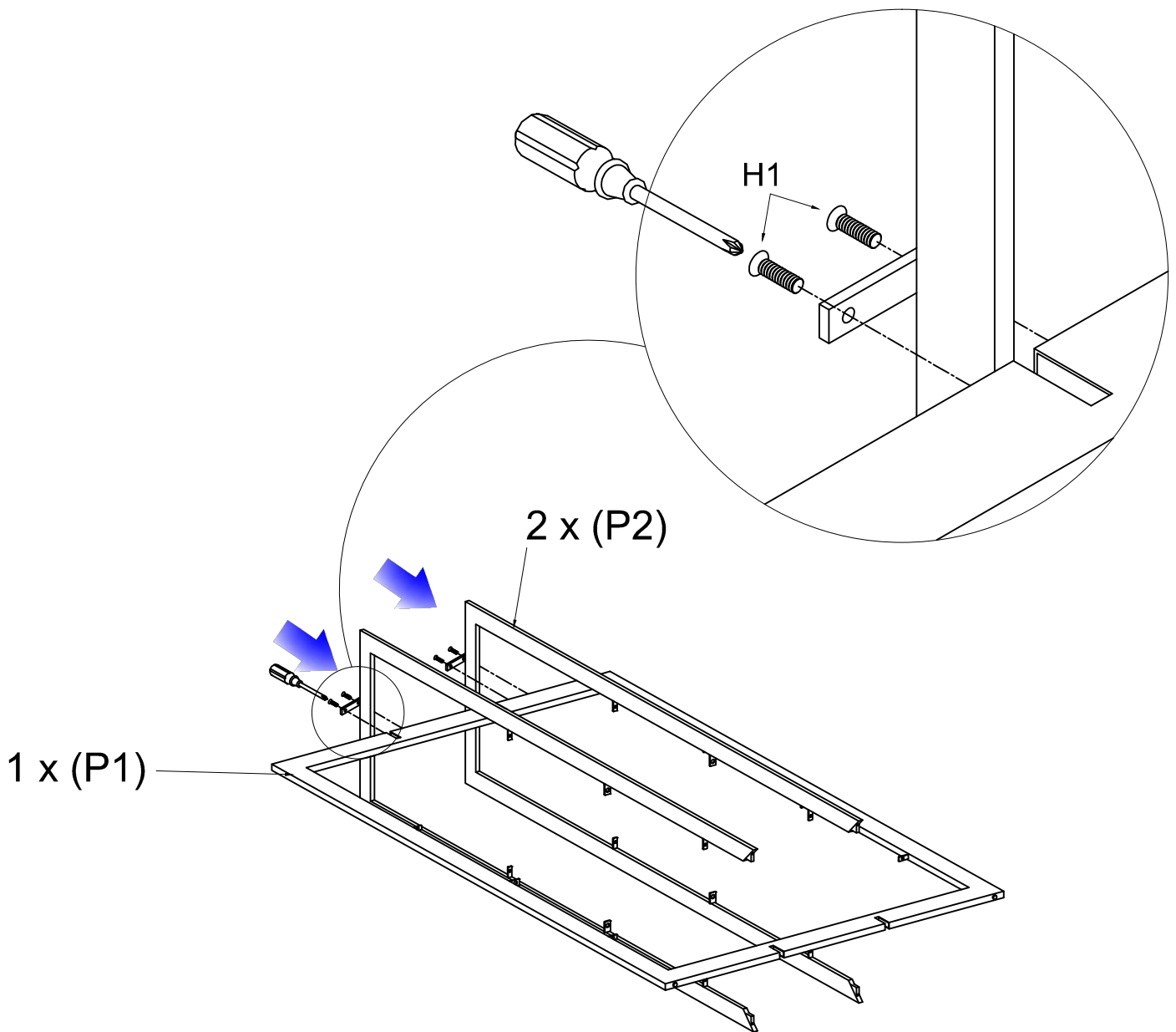
  
1x(Ø6x25)  
(H8)

STEP 1

YOU WILL NEED:	
4 x H1	M5*20mm 



TOOLS NOT INCLUDED

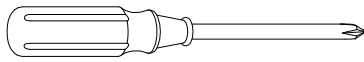


## STEP 2

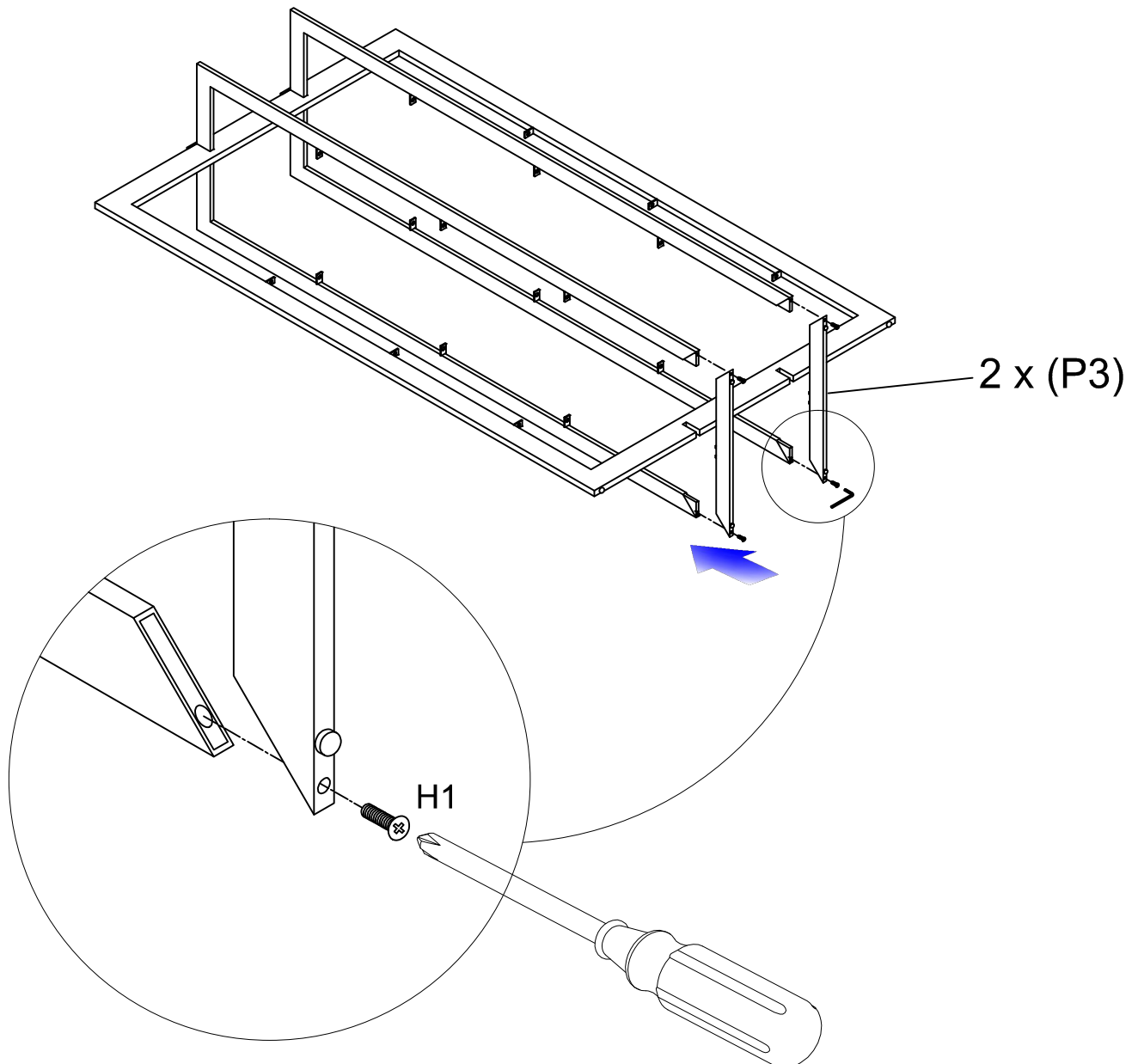
YOU WILL NEED:

4 x H1


M5\*20mm

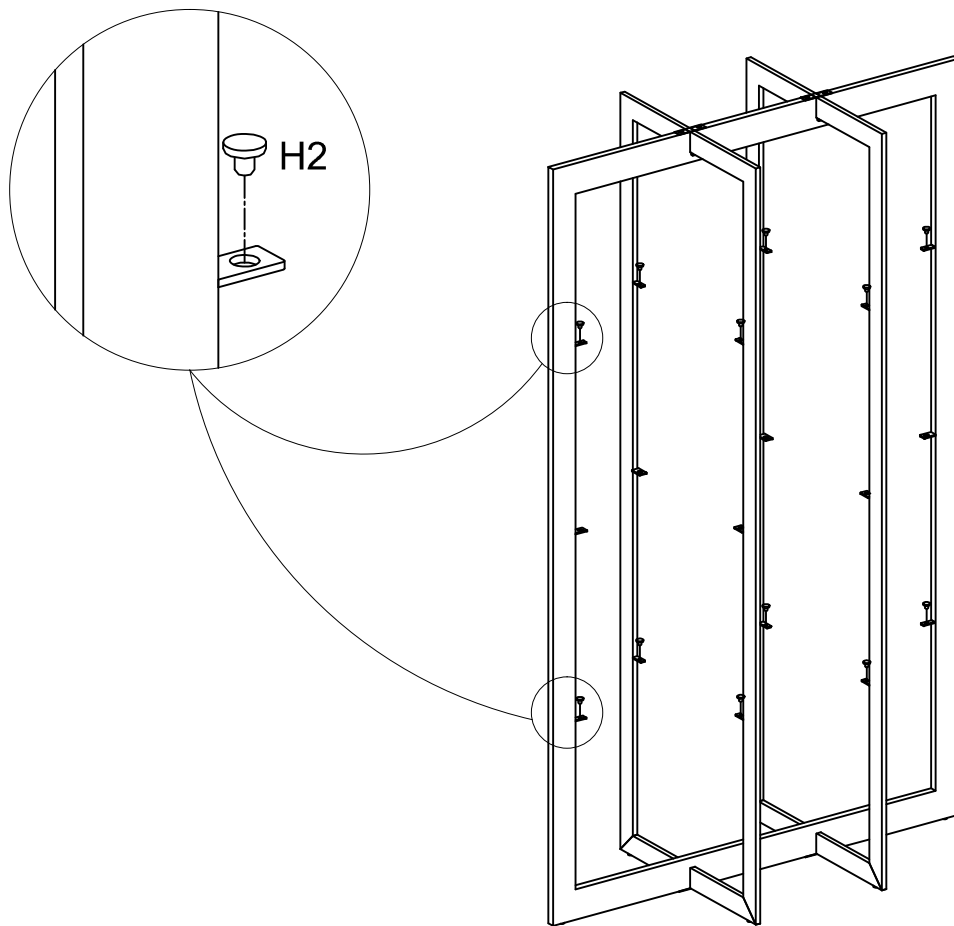


TOOLS NOT INCLUDED

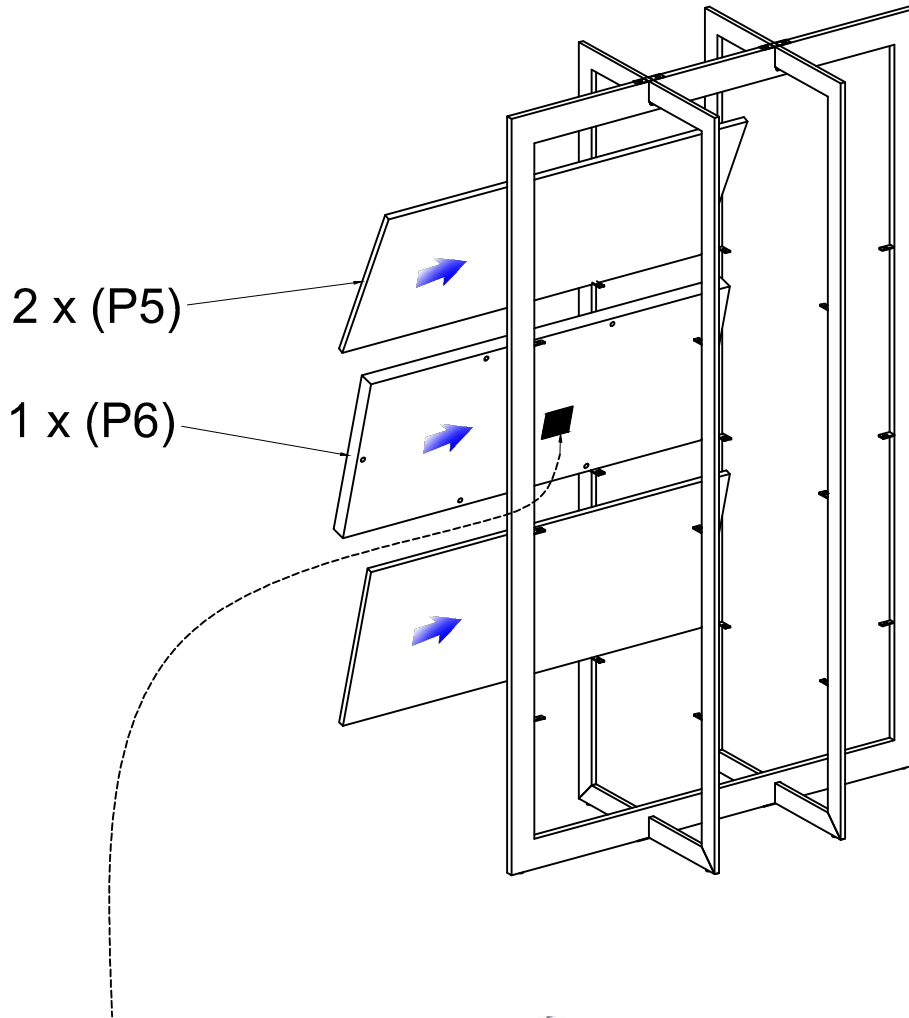




### STEP 3

YOU WILL NEED:	
12 x H4	$\varnothing 13*3/\varnothing 6*7$ 

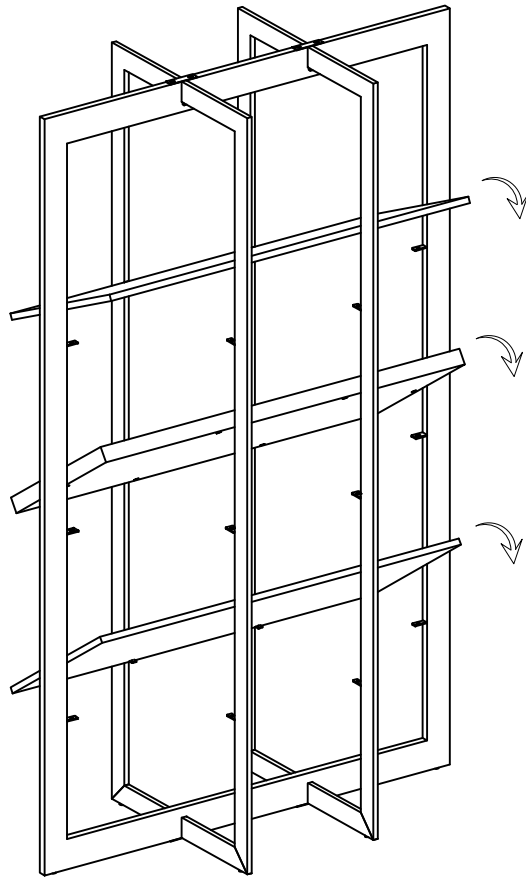


# STEP 4




 <b>WARNING</b>	
	<p><b>Serious or fatal crushing injuries can occur from furniture tip-over. To help prevent tip-over:</b></p> <ul style="list-style-type: none"><li>• Install tipover restraint provided.</li><li>• Place heaviest items in the lowest drawers.</li><li>• Do not set TV's or other heavy objects on top of this product, unless the product is specifically designed to accommodate them.</li><li>• Never allow children to climb or hang on drawers, doors, or shelves.</li><li>• Never open more than one drawer at a time.</li></ul> <p><b>Use of tip-over restraints may only reduce, but not eliminate, the risk of tip-over.</b></p> <p><i>This is a permanent label. Do not remove!</i></p>

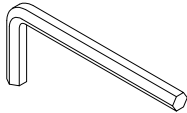
STEP 5



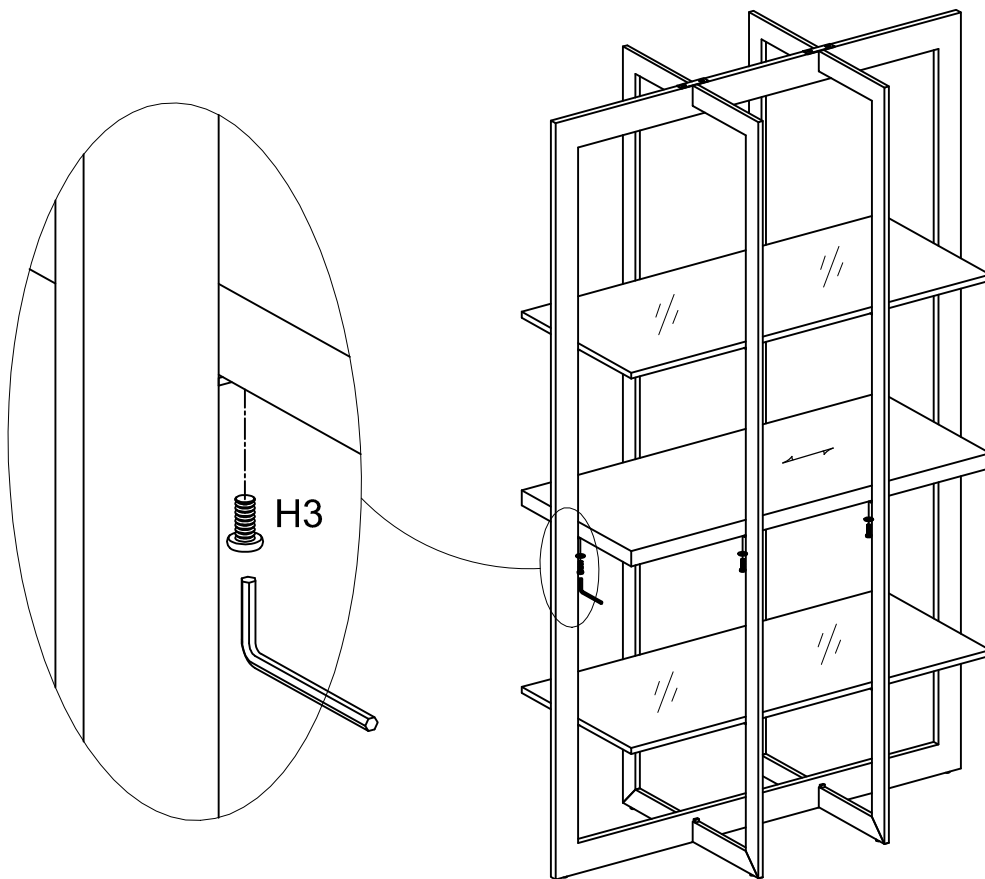


## STEP 6


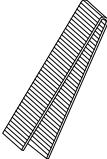

YOU WILL NEED:	
6 x H3	M6*20mm 

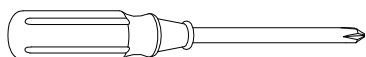


1 x ALLEN KEY(4MM)  
(PROVIDED)

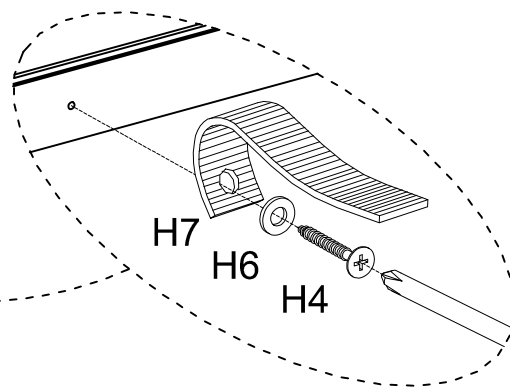
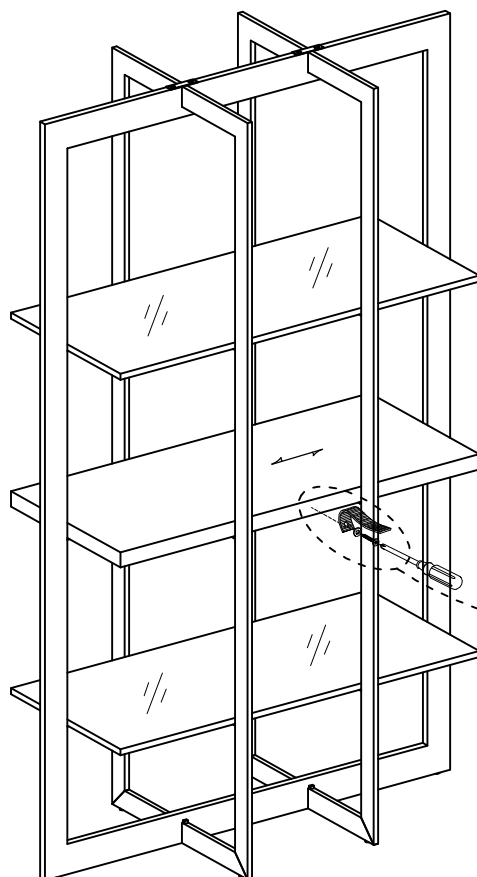


# STEP 7


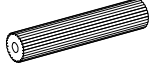

YOU WILL NEED:			
1x H4	M4x16mm 	1x H7	20*1.5*200mm 
1x H6	Ø12*Ø4*1.5mm 		

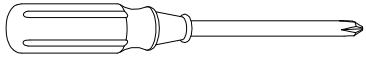


TOOLS NOT INCLUDED

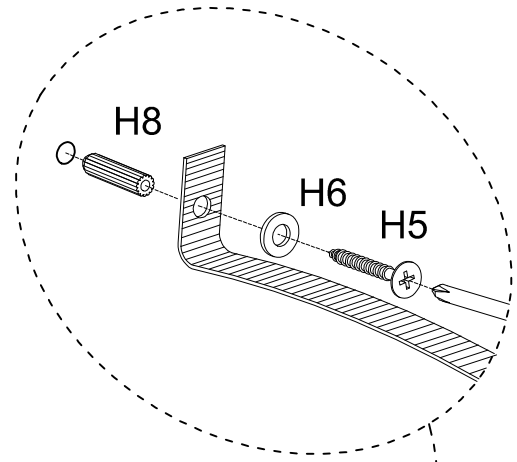


# STEP 8

YOU WILL NEED:			
1x H5	M4x25mm 	1x H8	Ø6x25mm 
1x H6	Ø12*Ø4*1.5mm 		



TOOLS NOT INCLUDED



Seek advice from a qualified trades person on how to attach this safety strap to your specific wall.

Wall

