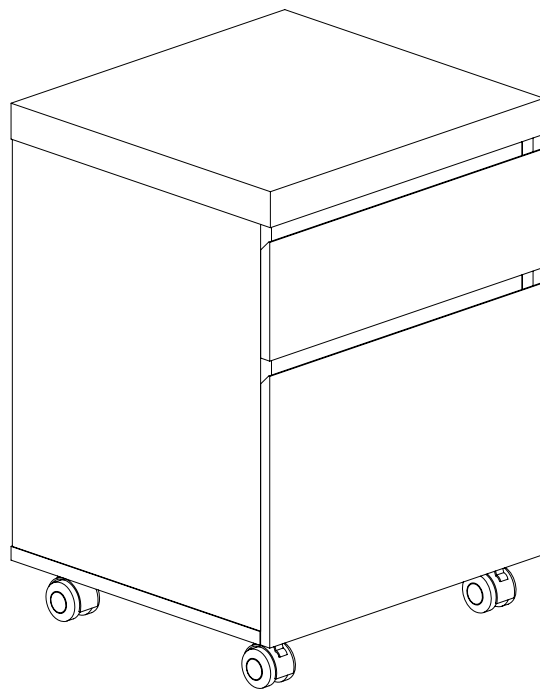


Assembly Instructions

ATOKA

FILE CABINET



WARNING

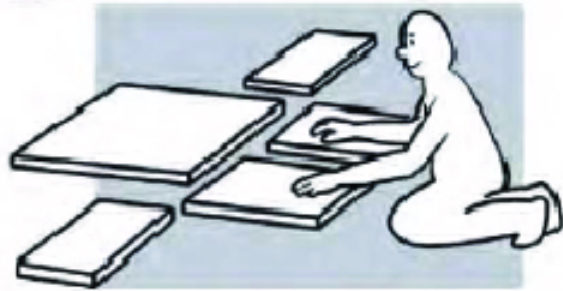
FAILURE TO FOLLOW THESE BASIC STEPS CAN LEAD TO DAMAGE THAT IS NOT COVERED BY YOUR WARRANTY

1



Read Instructions carefully.
Check no parts are missing.

2



Lay out all of the components on a soft surface
as if you were preparing to do a jigsaw puzzle.

3



Carefully identify each component, especially
those that are similar. The most common mistake
is getting things back to front.

4



Separate and identify each component from the
hardware pack and rest each one in its proper
location before fastening.

5



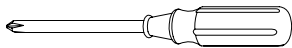
DO NOT fully tighten screws (leave slightly
loose). When the item is fully assembled
tighten the screws - but do not over tighten.

6



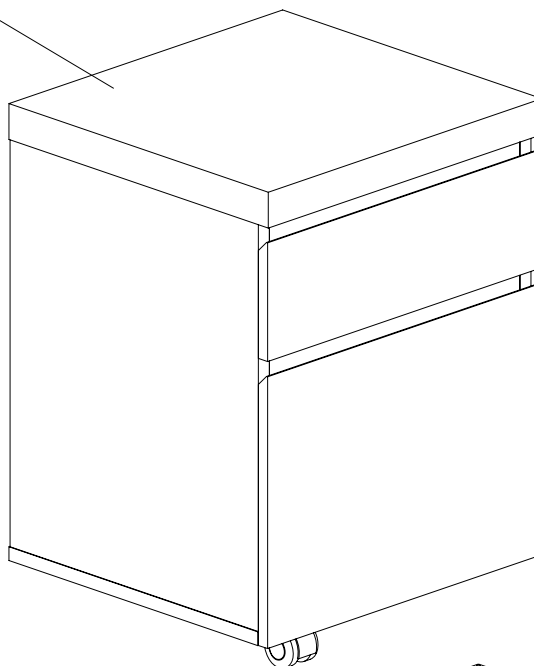
If glue is required **DO NOT** set until you are
certain that the parts belong together.

WHAT YOU NEED



TOOLS NOT INCLUDED

1 x (P1)



2 x (H1)

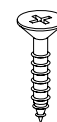
2 x (H2)



2 x Universal wheel(Ø40*60mm)
(H1)

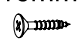


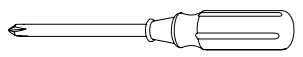
2 x Universal wheel(Ø40*60mm)
(H2)



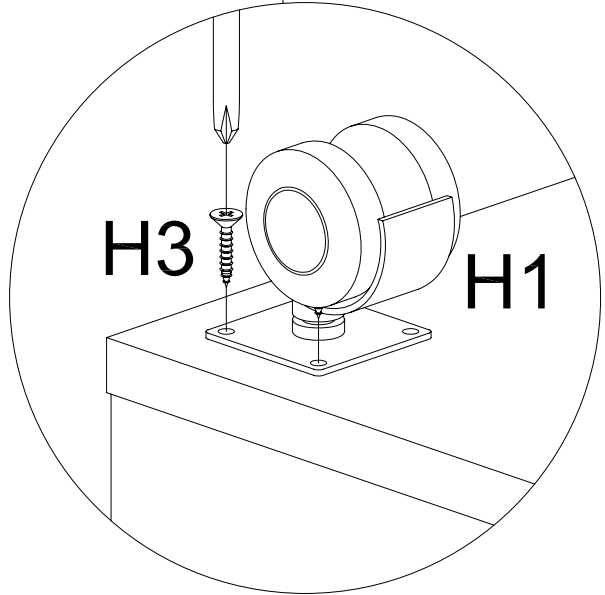
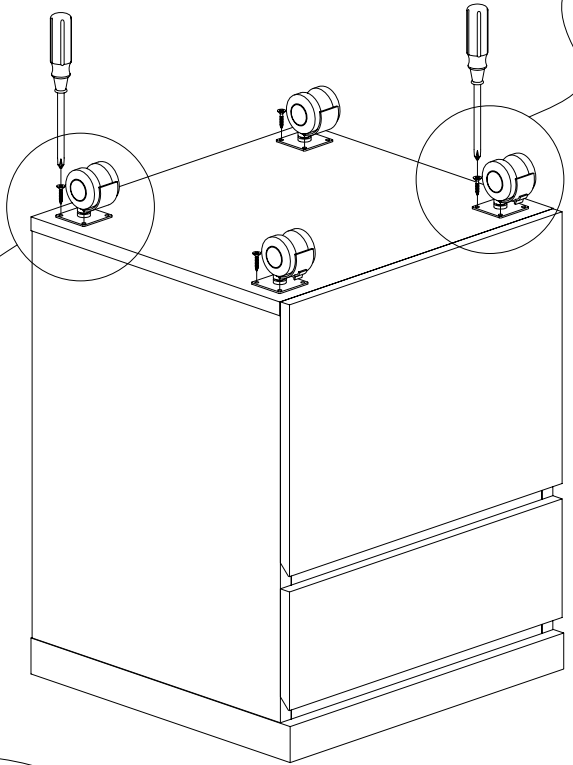
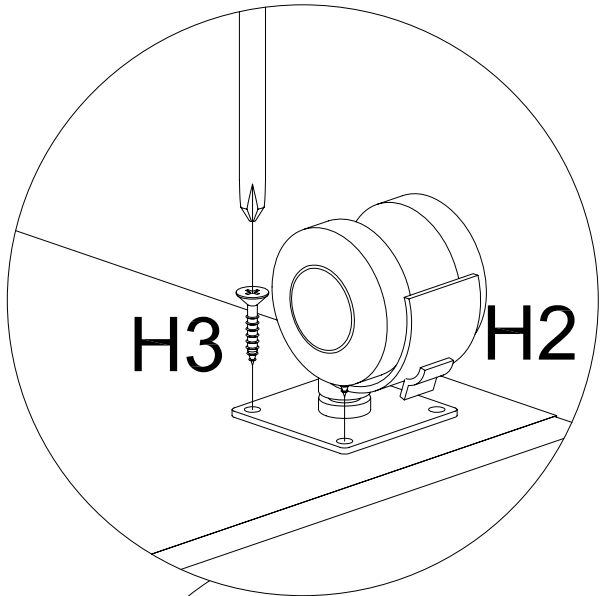
16 x SCREWS(16mm)
(H3)

STEP 1

YOU WILL NEED:	
16 x H3	16mm 

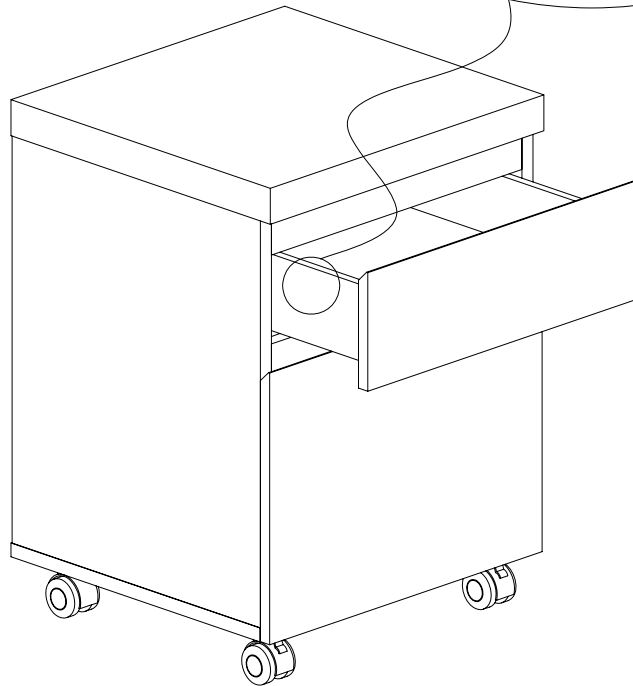


TOOLS NOT INCLUDED



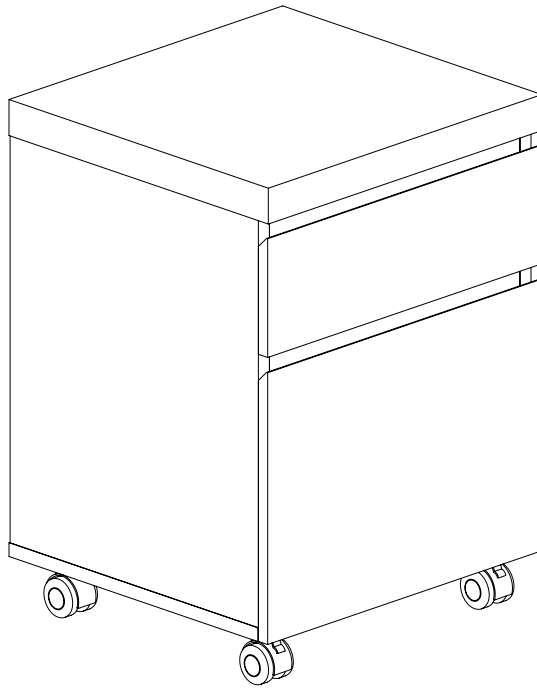
STEP 2

Taming Sticker



ANTI TIPPING STICKER IS LOCATED
ON THE INSIDE OF THE TOP DRAWER
WHICH IS LOCATED ON THE LEFT
HAND SIDE CORNER

STEP 3



The job is now complete!

In the interest of our environment
Please dispose of all packaging thoughtfully.