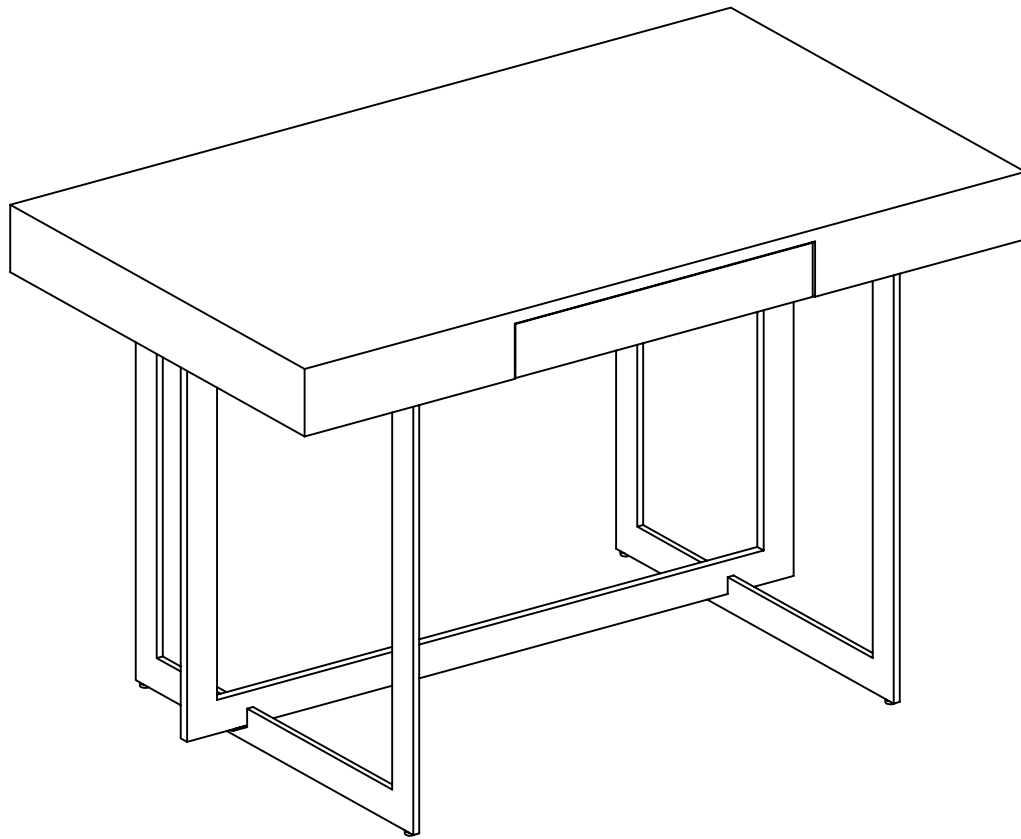


# Assembly Instructions

# ATOKA

## Home Office Desk With 1 Drawer



MAXIMUM LOADING ABILITY OF THE TABLE IS 60KGS.  
**IMPORTANT NOTICE: THIS TABLE IS NOT  
DESIGNED TO BE STOOD ON BY ANYONE!!**



# WARNING

**FAILURE TO FOLLOW THESE BASIC STEPS CAN LEAD TO DAMAGE THAT IS NOT COVERED BY YOUR WARRANTY**

**1**



Read instructions carefully.  
Check no parts are missing.

**2**



Lay out all of the components on a soft surface  
as if you were preparing to do a jigsaw puzzle.

**3**



Carefully identify each component, especially  
those that are similar. The most common mistake  
is getting things back to front.

**4**



Separate and identify each component from the  
hardware pack and rest each one in its proper  
location before fastening.

**5**



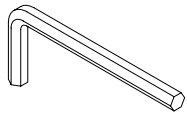
**DO NOT** fully tighten screws (leave slightly  
loose). When the item is fully assembled  
tighten the screws - but do not over tighten.

**6**



If glue is required **DO NOT** set until you are  
certain that the parts belong together.

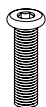
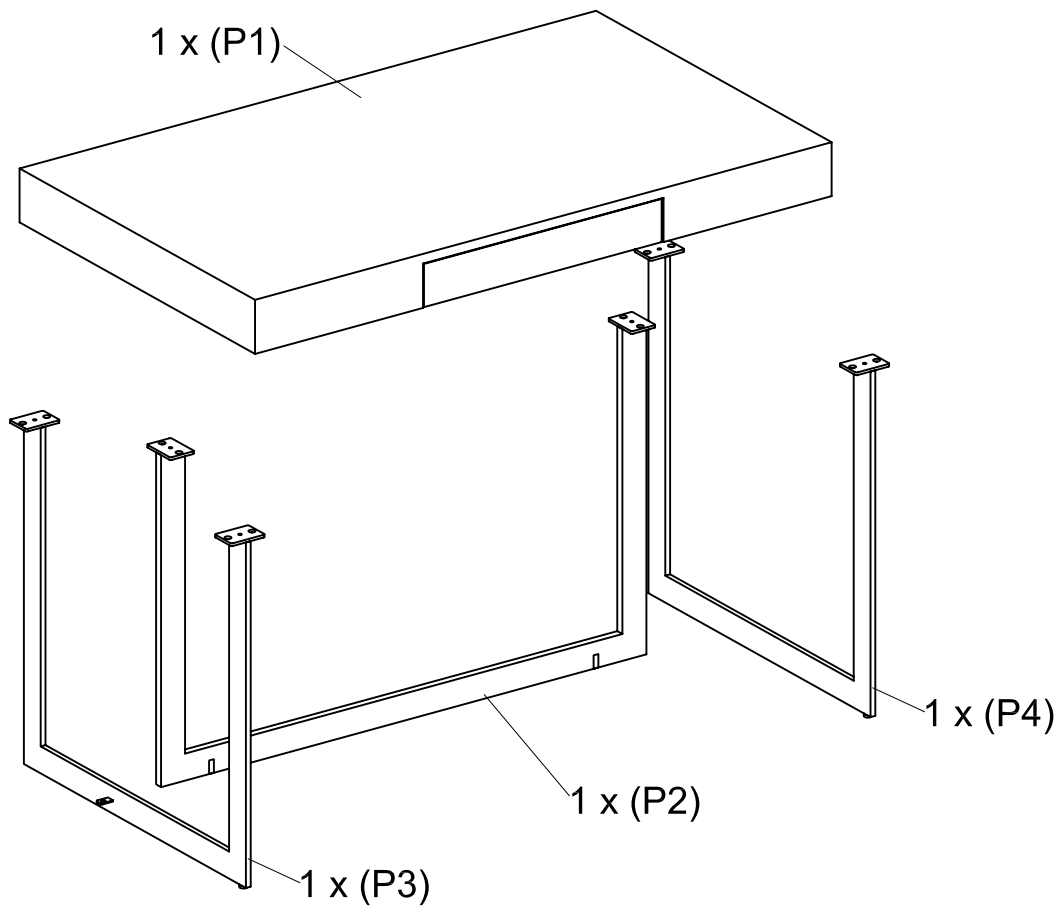
# WHAT YOU NEED



1 x ALLEN KEY(5MM)  
(PROVIDED)



1 x ALLEN KEY(4MM)  
(PROVIDED)



12 x SCREWS(30mm)  
(H1)



12 x WASHER  
(H2)





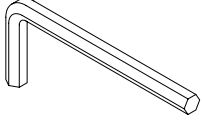
2 x SCREWS(12mm)  
(H3)



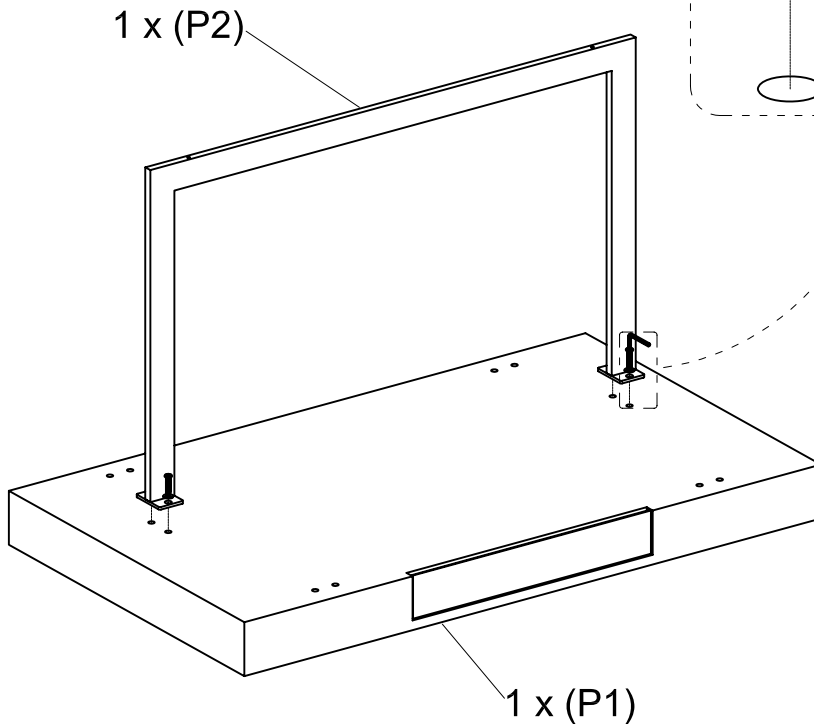
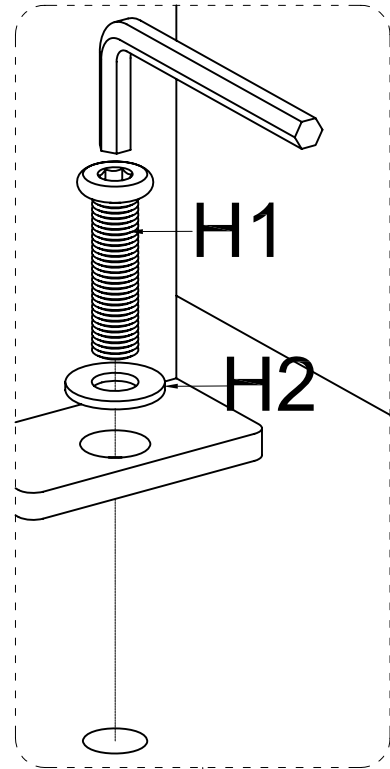
2 x WASHER  
(H4)

# STEP 1





YOU WILL NEED:	
4 x H1	 30mm
4 x H2	

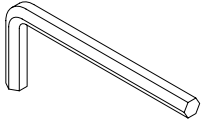


1 x ALLEN KEY(5MM)  
(PROVIDED)



## STEP 2

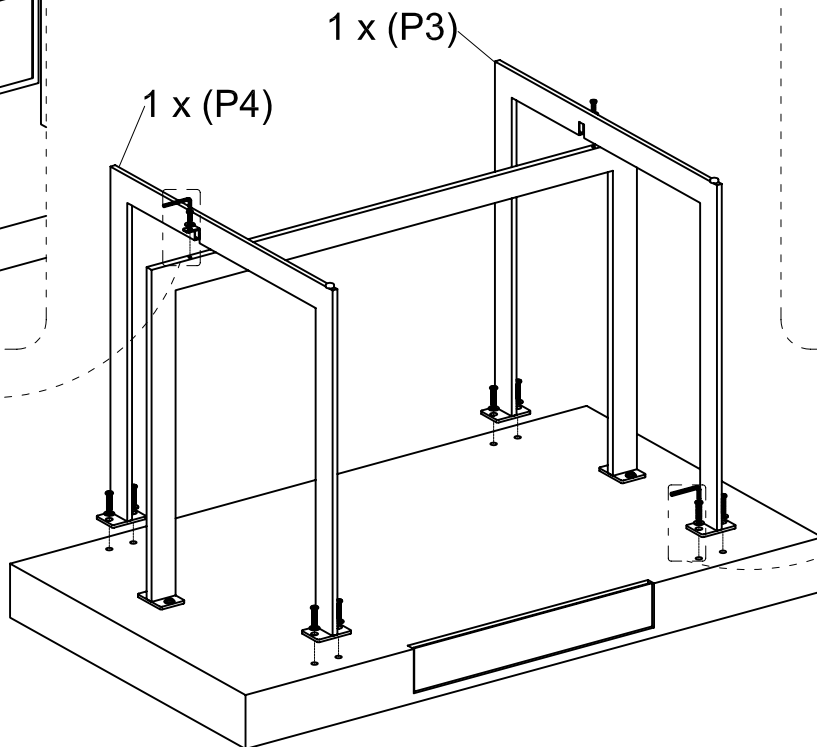
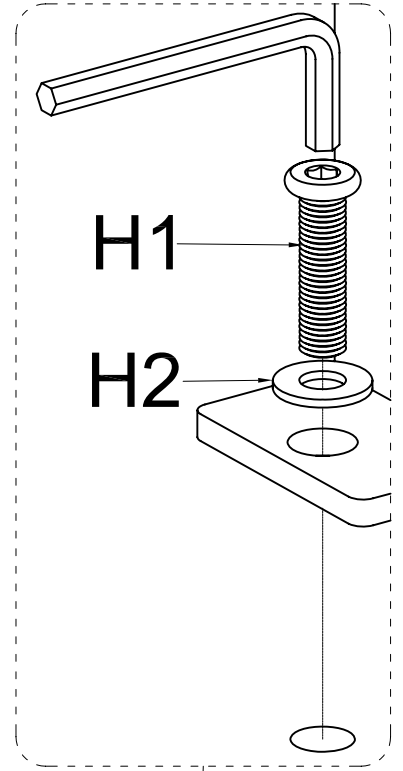
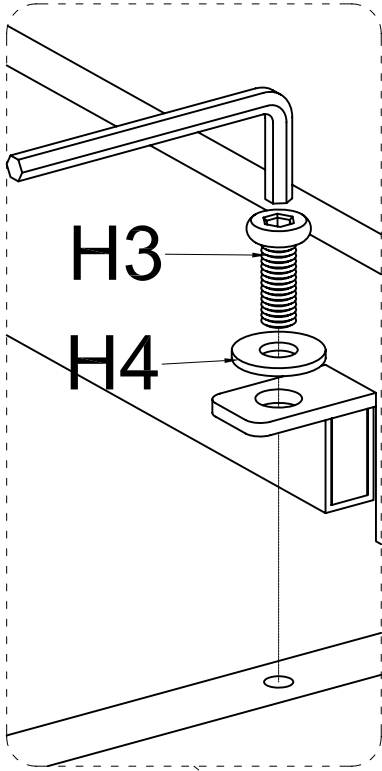
YOU WILL NEED:	
8 x H1	30mm 
8 x H2	
2 x H3	12mm 
2 x H4	

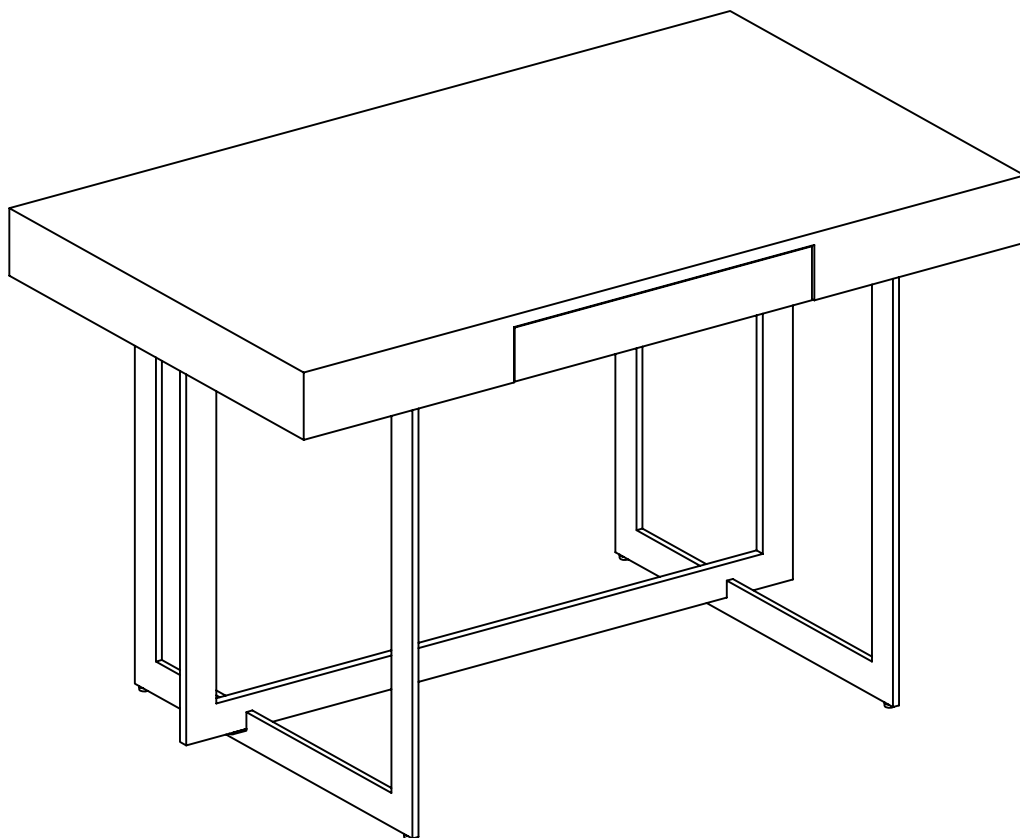


1 x ALLEN KEY(5MM)  
(PROVIDED)



1 x ALLEN KEY(4MM)  
(PROVIDED)





**The job is now complete!**

In the interest of our environment  
Please dispose of all packaging thoughtfully.