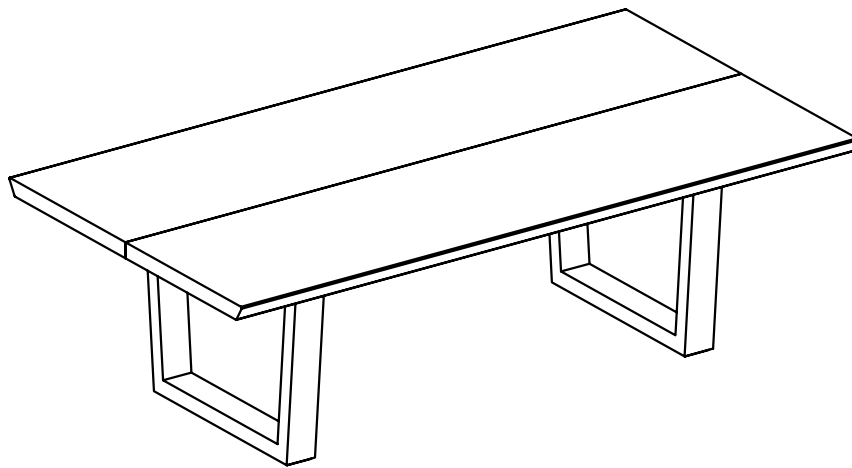


Assembly Instructions

MAINE

Coffee table



WARNING

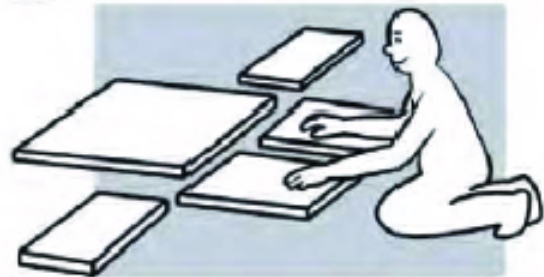
FAILURE TO FOLLOW THESE BASIC STEPS CAN LEAD TO DAMAGE THAT IS NOT COVERED BY YOUR WARRANTY

1



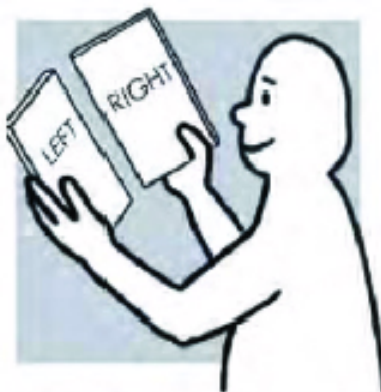
Read instructions carefully. Check no parts are missing.

2



Lay out all of the components on a soft surface as if you were preparing to do a jigsaw puzzle.

3



Carefully identify each component, especially those that are similar. The most common mistake is getting things back to front.

4



Separate and identify each component from the hardware pack and rest each one in its proper location before fastening.

5



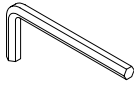
DO NOT fully tighten screws (leave slightly loose). When the item is fully assembled tighten the screws - but do not over tighten.

6

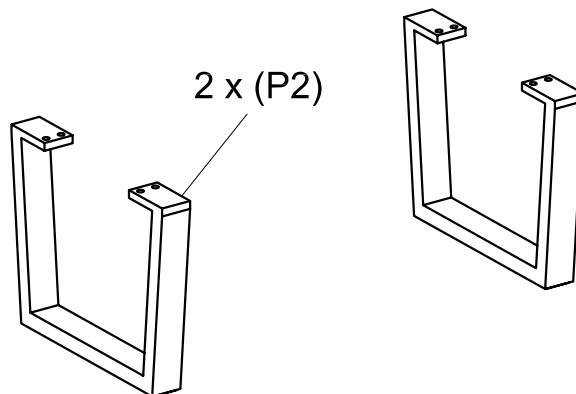
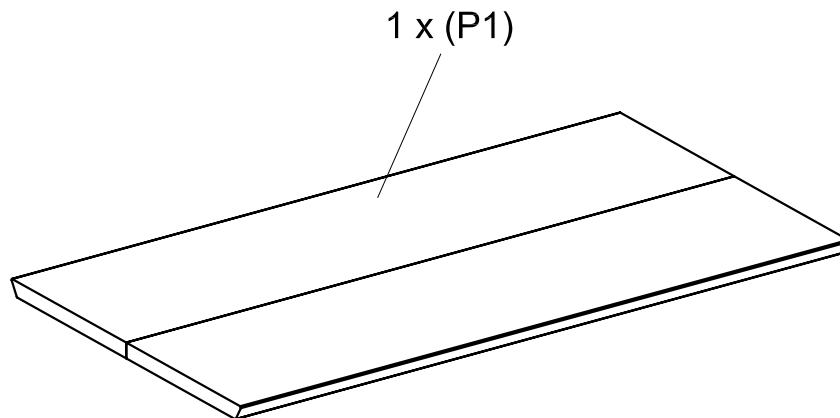


If glue is required **DO NOT** set until you are certain that the parts belong together.

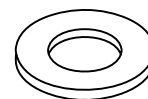
WHAT YOU NEED



1 x ALLEN KEY(5MM)
(PROVIDED)





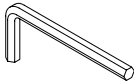
8 x SCREWS(35mm)
(H1)



8 x WASHER
(H2)

STEP 1

YOU WILL NEED:	
8 x H1	35mm 
8x H2	



1 x ALLEN KEY(5MM)
(PROVIDED)

