

# Assembly Instructions

## MOON RECTANGULAR DINING TABLE-E179



**jar furniture**

# WARNING

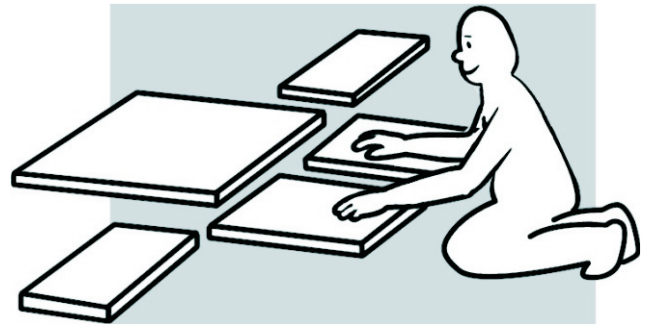
FAILURE TO FOLLOW THESE BASIC STEPS CAN LEAD TO DAMAGE THAT IS NOT COVERED BY YOUR WARRANTY

1



Read Instructions carefully.  
Check no parts are missing.

2



Lay out all of the components on a soft surface  
as if you were preparing to do a jigsaw puzzle.

3



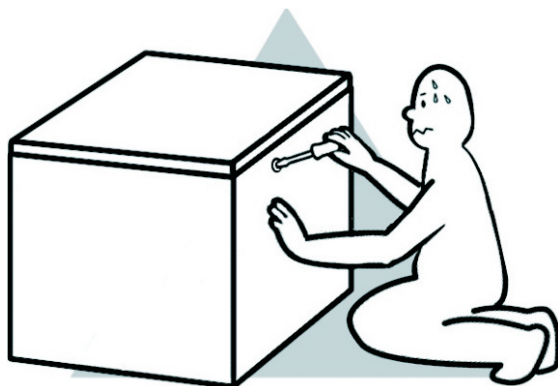
Carefully identify each component, especially  
those that are similar. The most common mistake  
is getting things back to front.

4



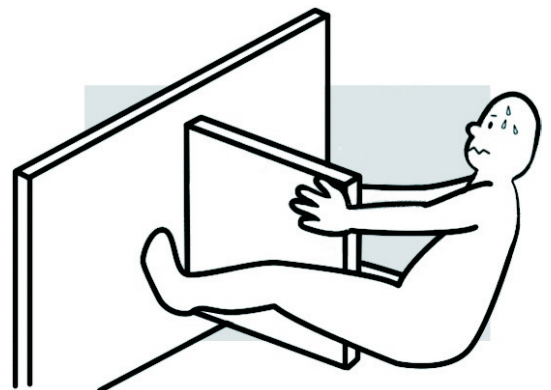
Separate and identify each component from the  
hardware pack and rest each one in its proper  
location before fastening.

5



**DO NOT** fully tighten screws (leave slightly  
loose). When the item is fully assembled  
tighten the screws - but do not over tighten.

6

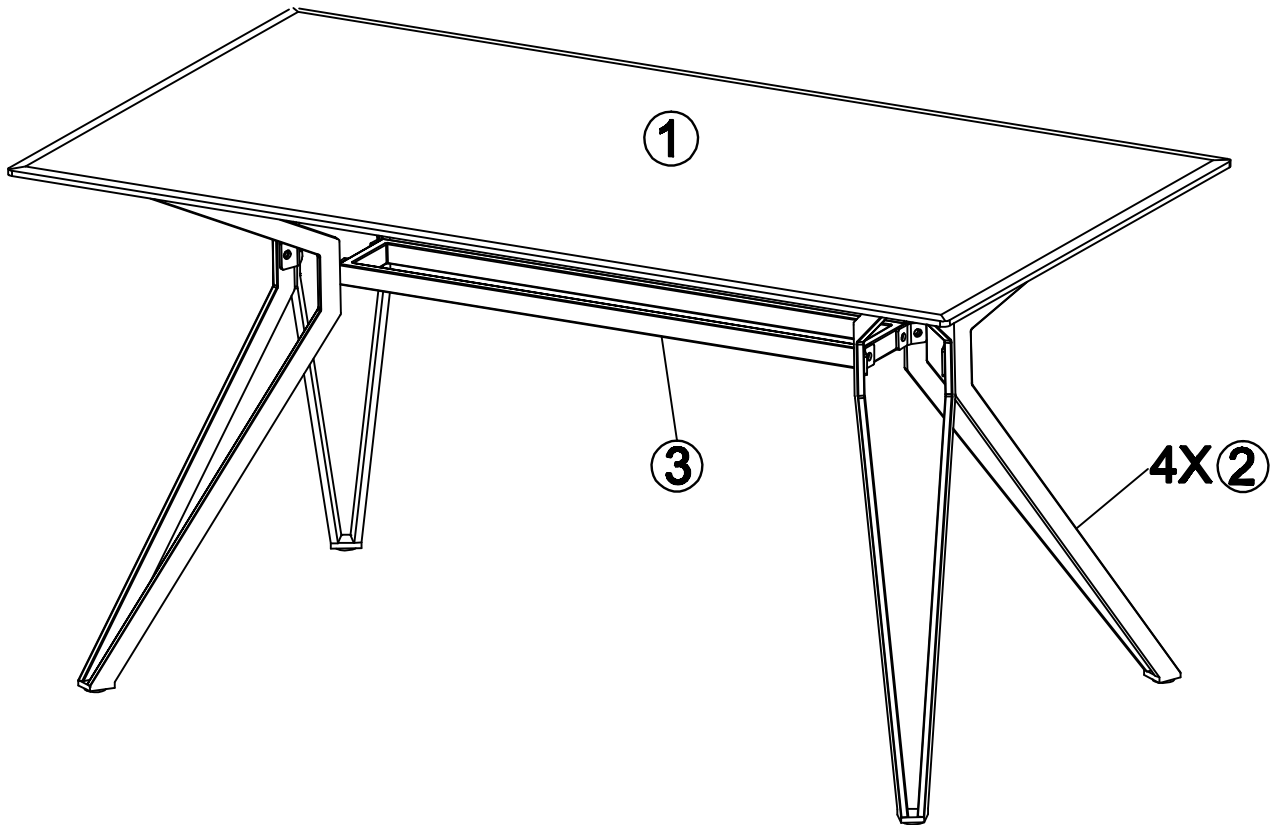






If glue is required **DO NOT** set until you are  
certain that the parts belong together.

# What you Need



1XAllen Key 5MM  
(provided)

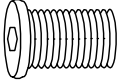




A	B	C	D
			
M8*16MM 4PCS	M8*12MM 8PCS	Ø8*16*1.5MM 12PCS	Ø40MM 4PCS

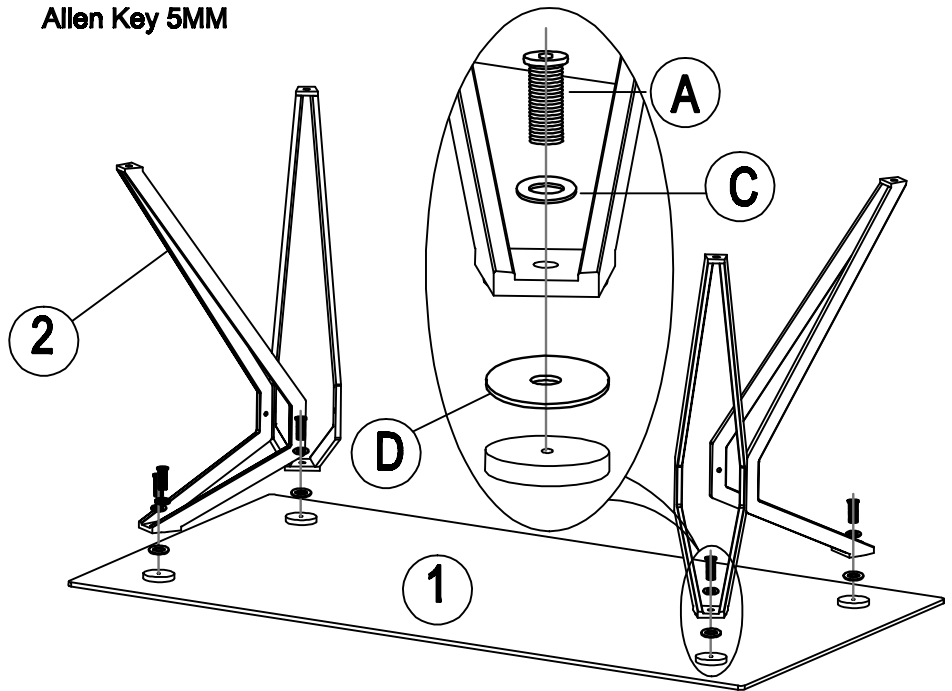
Please make sure you have all these parts before you start.

# STEP 1

You will Need:

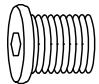
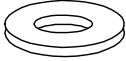
M8*16MM 4PCS A	
Ø8*16*1.5MM 4PCS C	
Ø40MM 4PCS D	

  
Allen Key 5MM

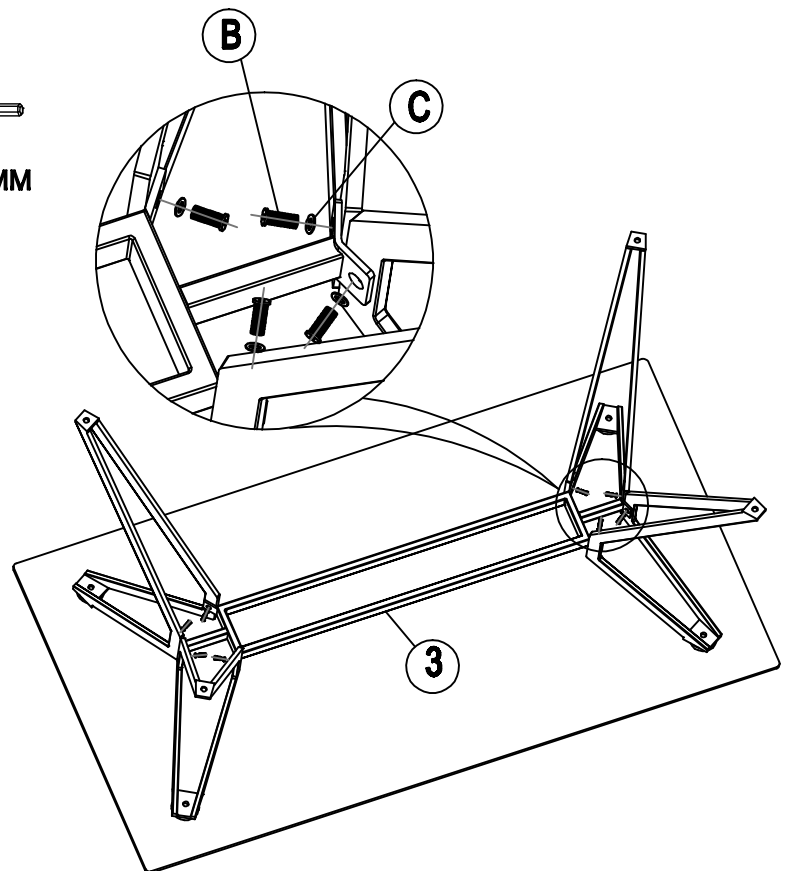


# STEP 2

You will Need:

M8*12MM 8PCS B	
8*16*1.5MM 8PCS C	

  
Allen Key 5MM





**The job is complete**  
In the interest of our environment  
Please dispose of all packaging thoughtfully