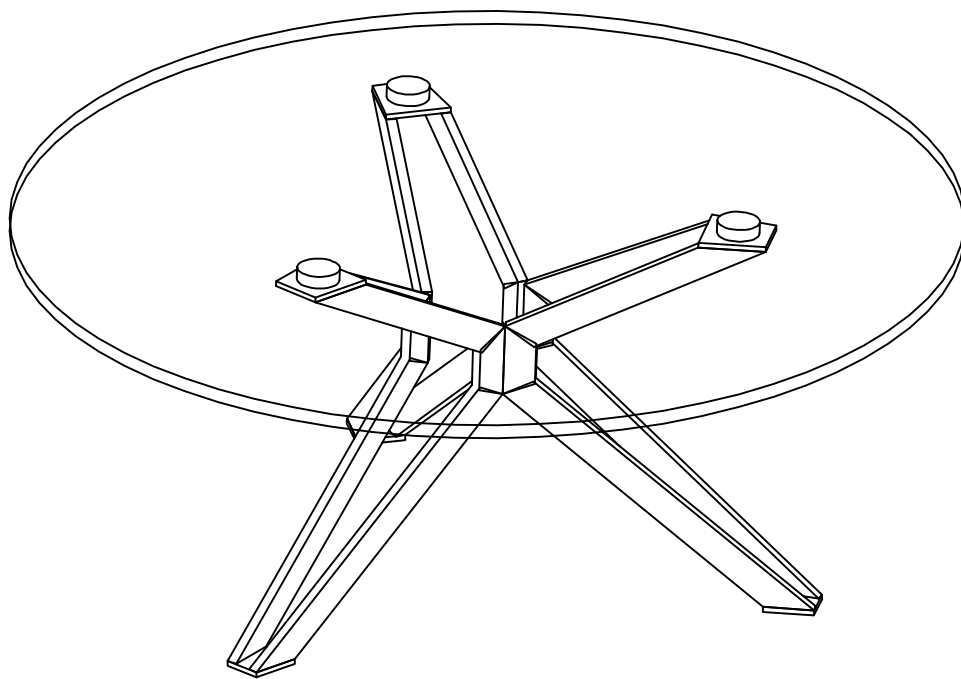


# Assembly Instructions

## **MOON COFFEE TABLE**



**jar furniture**

# WARNING

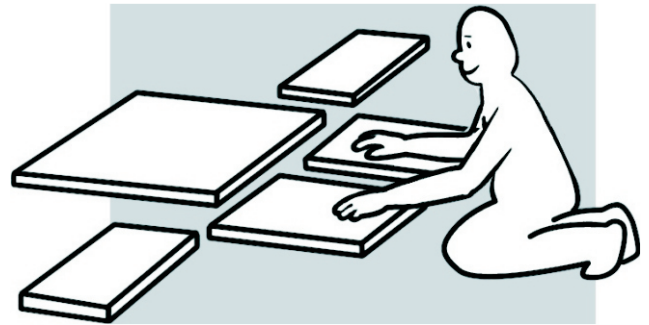
FAILURE TO FOLLOW THESE BASIC STEPS CAN LEAD TO DAMAGE THAT IS NOT COVERED BY YOUR WARRANTY

1



Read Instructions carefully.  
Check no parts are missing.

2



Lay out all of the components on a soft surface as if you were preparing to do a jigsaw puzzle.

3



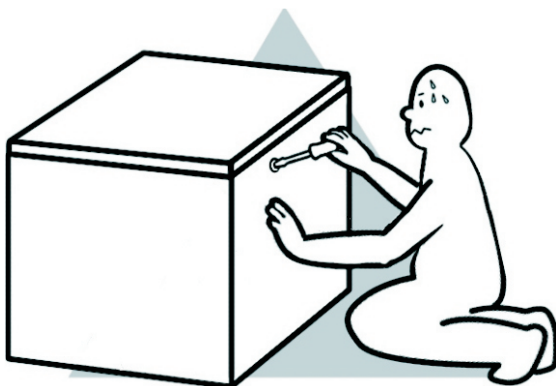
Carefully identify each component, especially those that are similar. The most common mistake is getting things back to front.

4



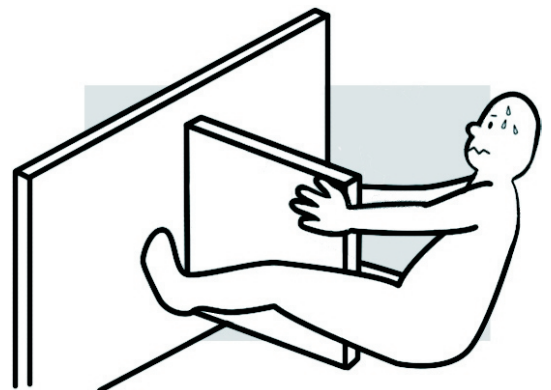
Separate and identify each component from the hardware pack and rest each one in its proper location before fastening.

5



**DO NOT** fully tighten screws (leave slightly loose). When the item is fully assembled tighten the screws - but do not over tighten.

6

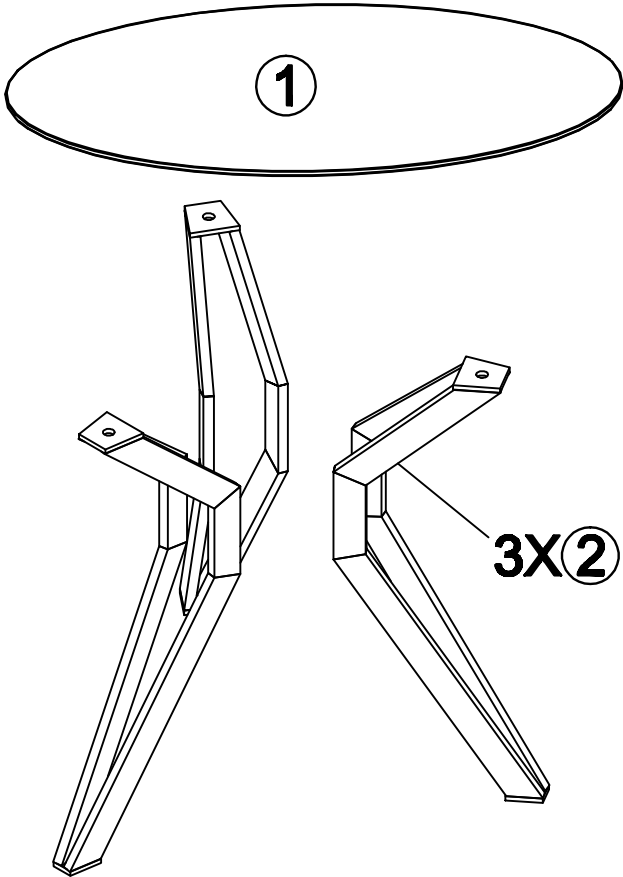





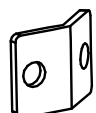

If glue is required **DO NOT** set until you are certain that the parts belong together.

# What you Need



1XAllen Key 5MM  
(provided)

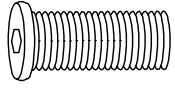

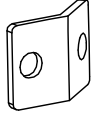


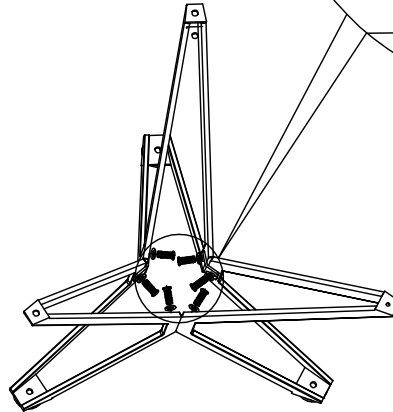
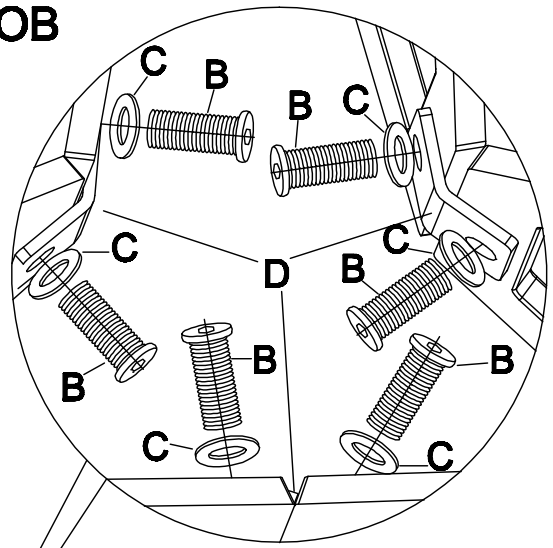
<b>A</b>  M8*16MM 3PCS	<b>B</b>  M8*12MM 6PCS	<b>C</b>  8*16*1.5MM 9PCS	<b>D</b>  3PCS	<b>E</b>  Ø40*Ø10*1MM 3PCS
--	--	---	--	--

Please make sure you have all these parts before you start.

## 2 MAN JOB

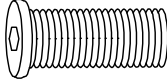

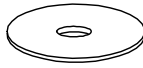
### STEP 1

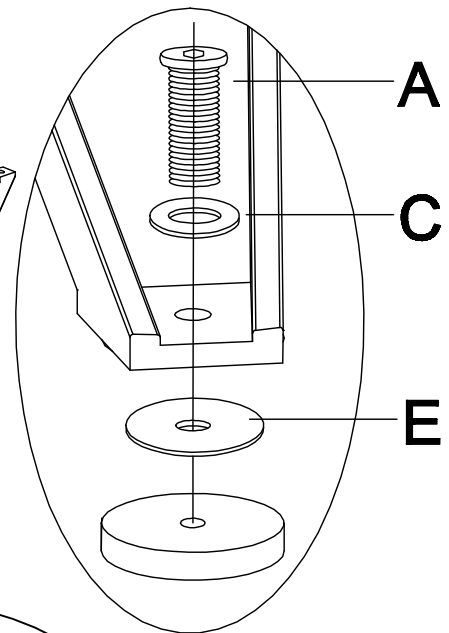
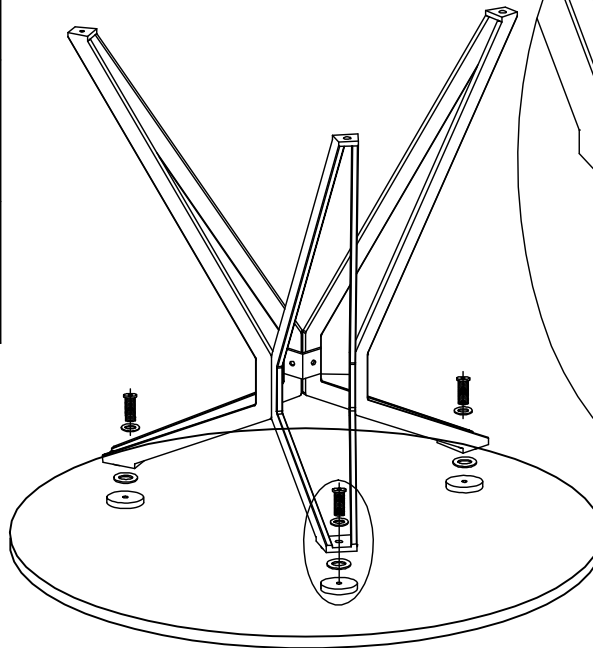
You will Need:	
M8*12MM 6PCS B	
8*16*1.5MM 6PCS C	
3PCS D	



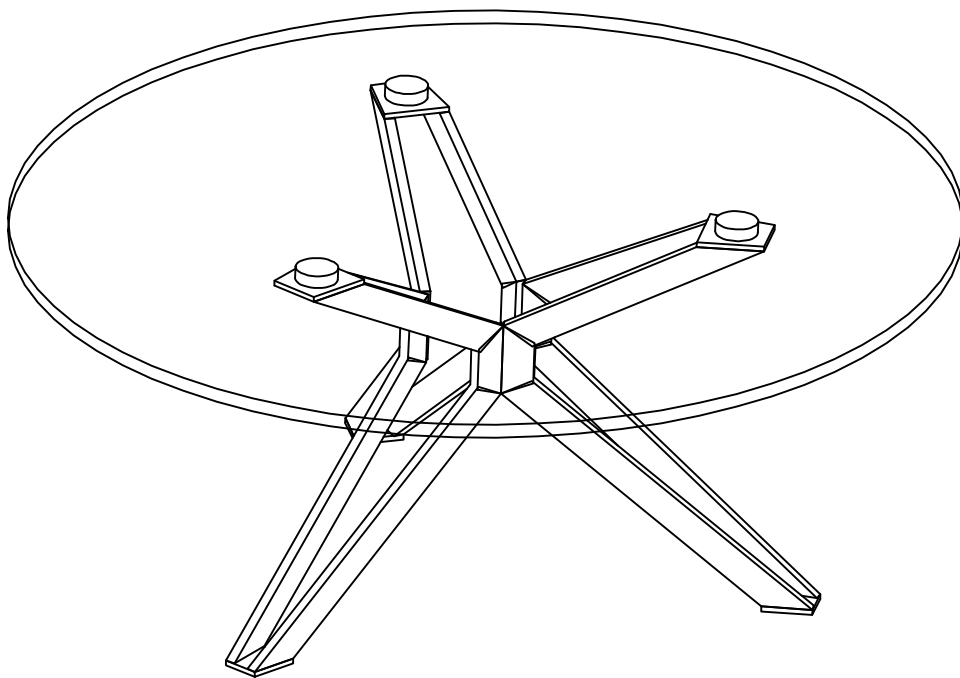
**DO NOT** fully tighten screws(leave slightly loose).When the item is fully assembled tighten the screws-but do not over tighten.

### STEP 2

You will Need:	
M8*16MM 3PCS A	
8*16*1.5MM 3PCS C	
Ø40*Ø10*1MM 3PCS E	



Please put a soft cloth on the ground before putting the glass on the floor.



**The job is complete**  
In the interest of our environment  
Please dispose of all packaging thoughtfully