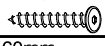

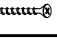



ASSEMBLY INSTRUCTIONS

MODEL : OSLO DINING CHAIR

IMPORTANT NOTE :

- * PLACE ALL WOODEN PARTS ON A CLEAN AND SMOOTH SURFACE SUCH AS A RUG OR CARPET TO AVOID THE PARTS FROM BEING SCRATCHED.
- * BEFORE YOU BEGIN, KINDLY FOLLOW THE ASSEMBLY INSTRUCTIONS STEP BY STEP.
- * DO NOT TIGHTEN ALL SCREWS UNTIL THE CHAIR IS FULLY SET-UP.

HARDWARE LIST			PART LIST		
A	JCBC W SCREW M7 x 40mm 	1PC	1	LEG (UP)	1PC
B	JCBC SCREW M6 x 60mm 	4PCS	2	LEG (DOWN)	1PC
C	FH SCREW # 8 x 25mm 	16PCS	3	CUSHION CHAIR	1PC
D	ALLEN KEY M4 	1PC	4	CORNER BLOCK (SHORT)	2PCS
			5	CORNER BLOCK (LONG)	2PCS

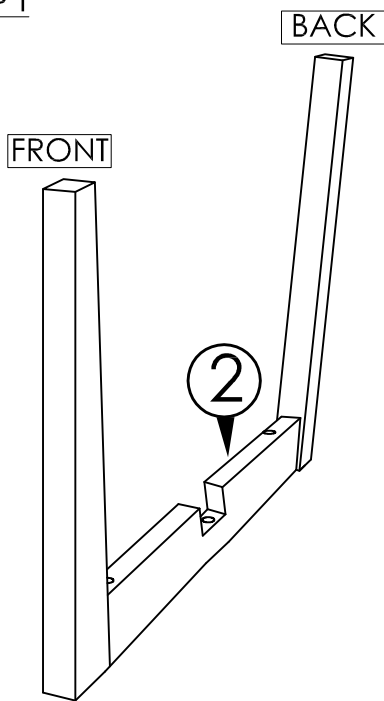
CAUTIONS :

(1) DO NOT FULLY-TIGHTEN THE NUT OR NUT BOLTS INITIALLY UNTIL ALL NUTS OR BOLT IS READY ASSEMBLED.

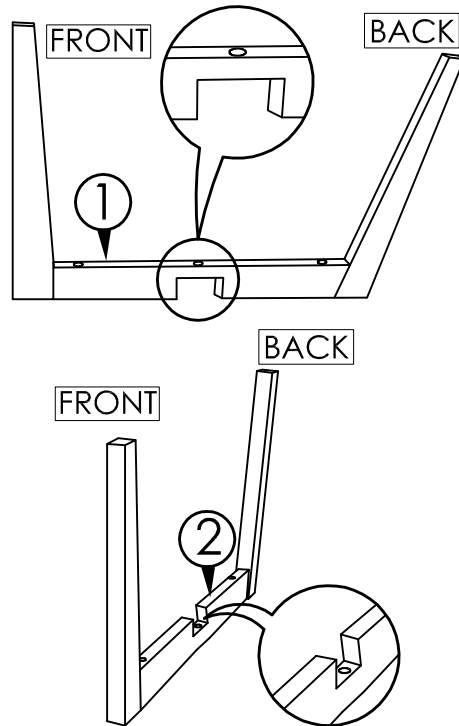
(TO AVOID CAUSING DAMAGES TO THE THREAD, DO NOT OVER-TIGHTEN THE NUTS OR BOLTS.)

(2) KEEP ALL HARDWARE PART OUT OF REACH OF CHILDREN.

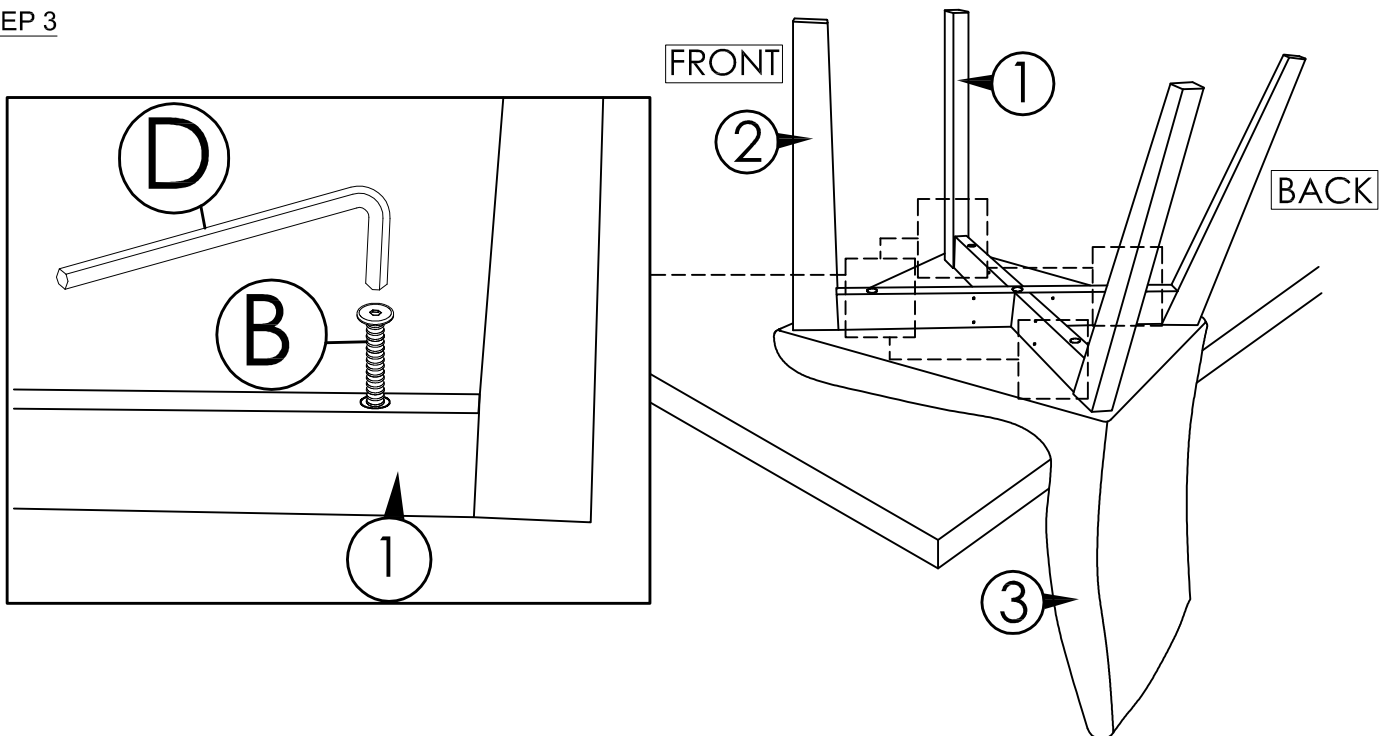
STEP 1



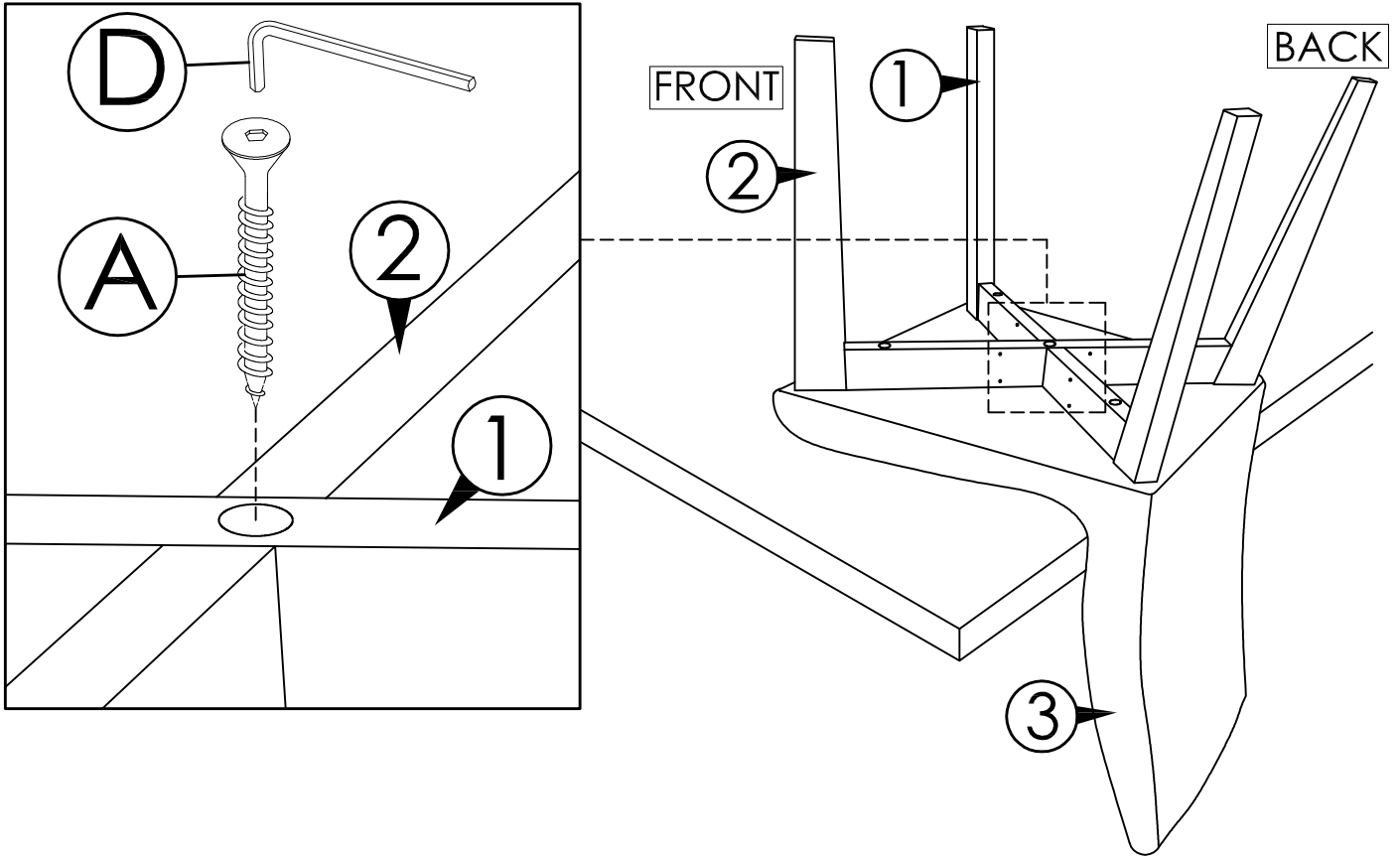
STEP 2



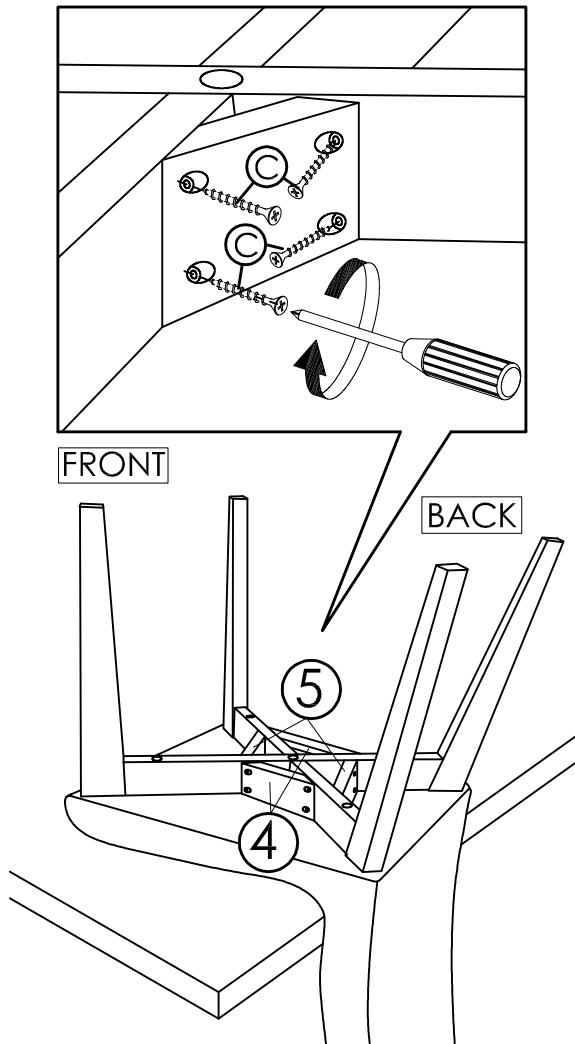
STEP 3



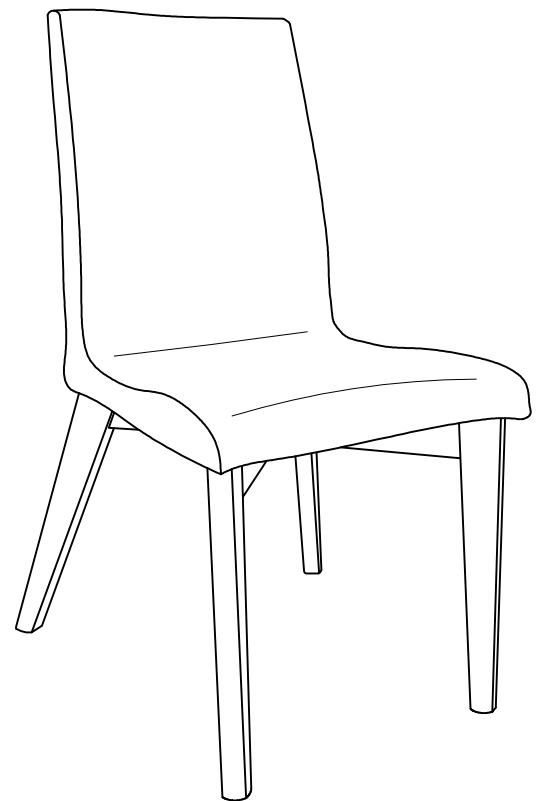
STEP 4



STEP 5



STEP 6



COMPLETED CHAIR ASSEMBLY.