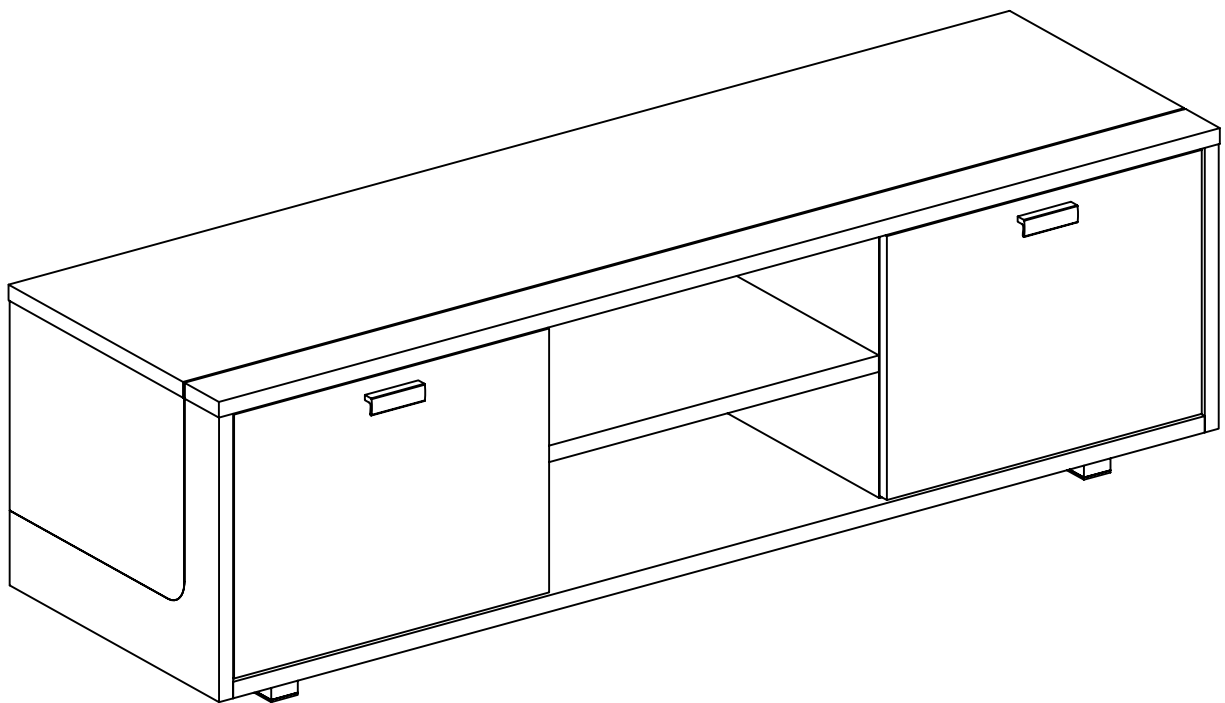


Assembly Instructions

PADDINGTON

TV Stand



WARNING

FAILURE TO FOLLOW THESE BASIC STEPS CAN LEAD TO DAMAGE THAT IS NOT COVERED BY YOUR WARRANTY

1



Read Instructions carefully. Check no parts are missing.

2



Lay out all of the components on a soft surface as if you were preparing to do a jigsaw puzzle.

3



Carefully identify each component, especially those that are similar. The most common mistake is getting things back to front.

4



Separate and identify each component from the hardware pack and rest each one in its proper location before fastening.

5



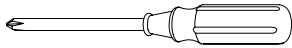
DO NOT fully tighten screws (leave slightly loose). When the item is fully assembled tighten the screws - but do not over tighten.

6

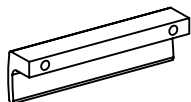
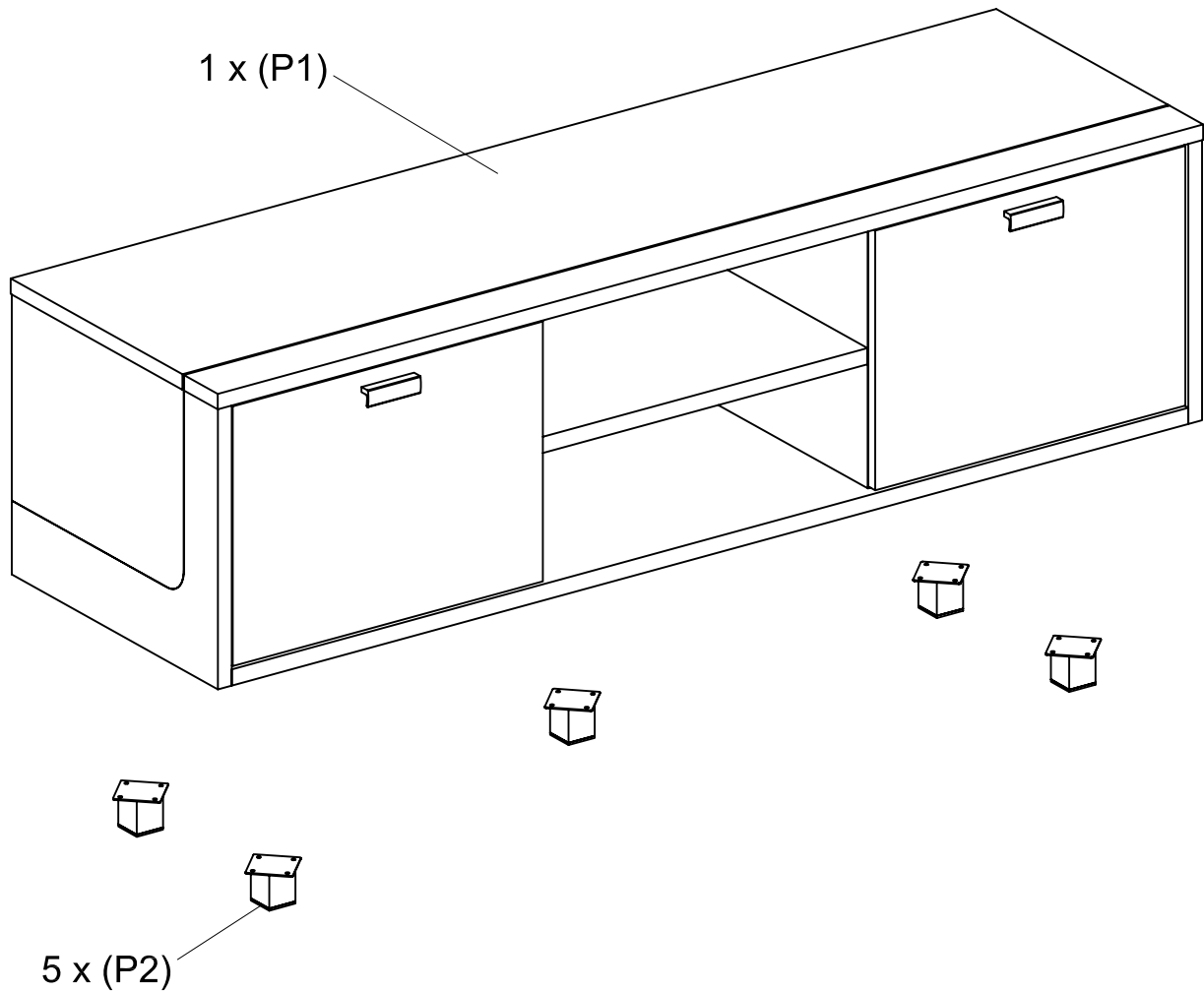


If glue is required **DO NOT** set until you are certain that the parts belong together.

WHAT YOU NEED



TOOLS NOT INCLUDED



2 x Handle(80mm)
(H1)

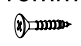


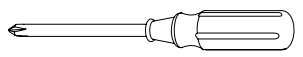
4 x SCREWS(22mm)
(H2)



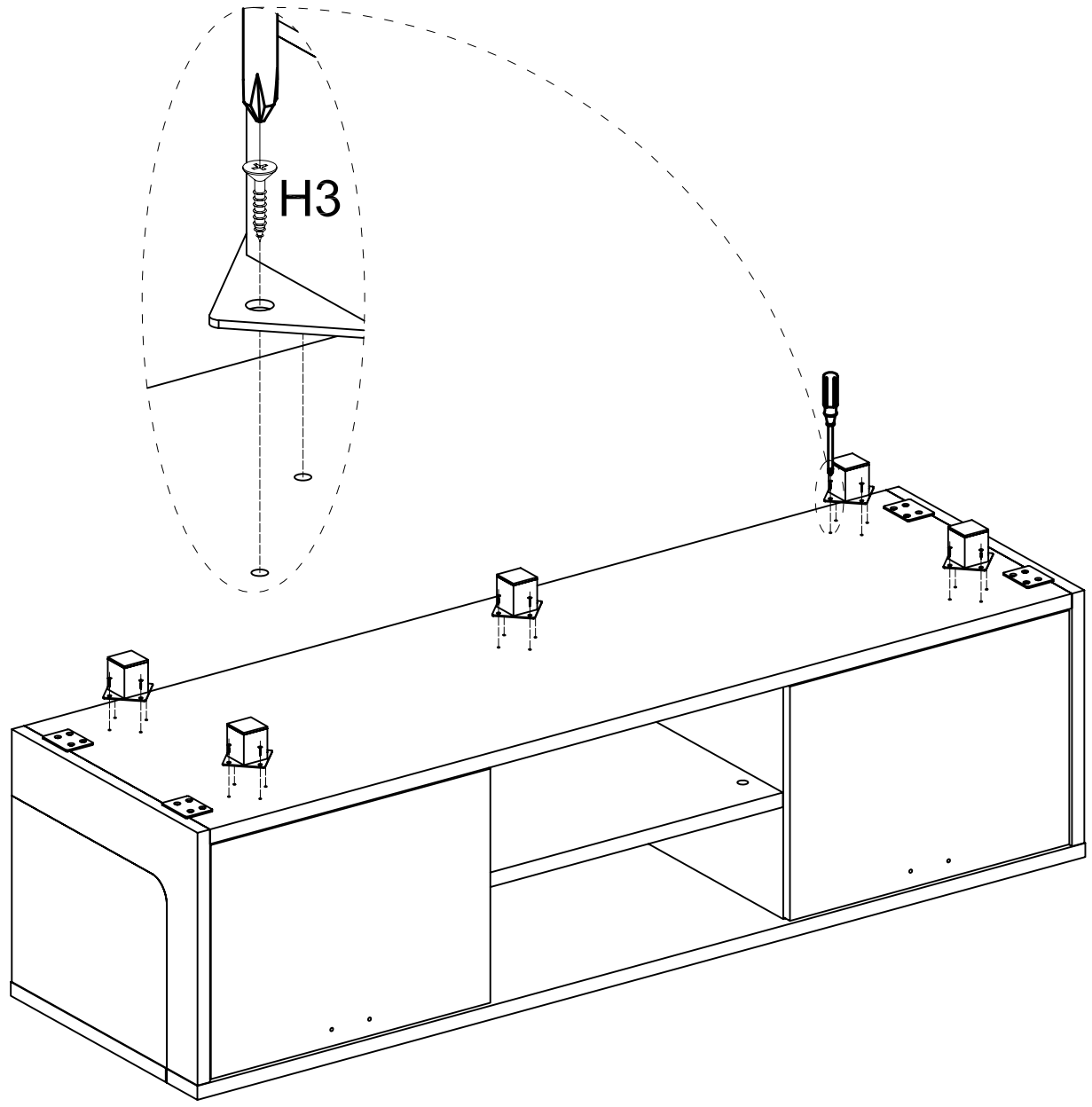
20 x SCREWS(16mm)
(H3)

STEP 1

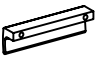

YOU WILL NEED:	
20 x H3	16mm 

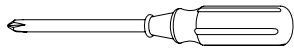


TOOLS NOT INCLUDED

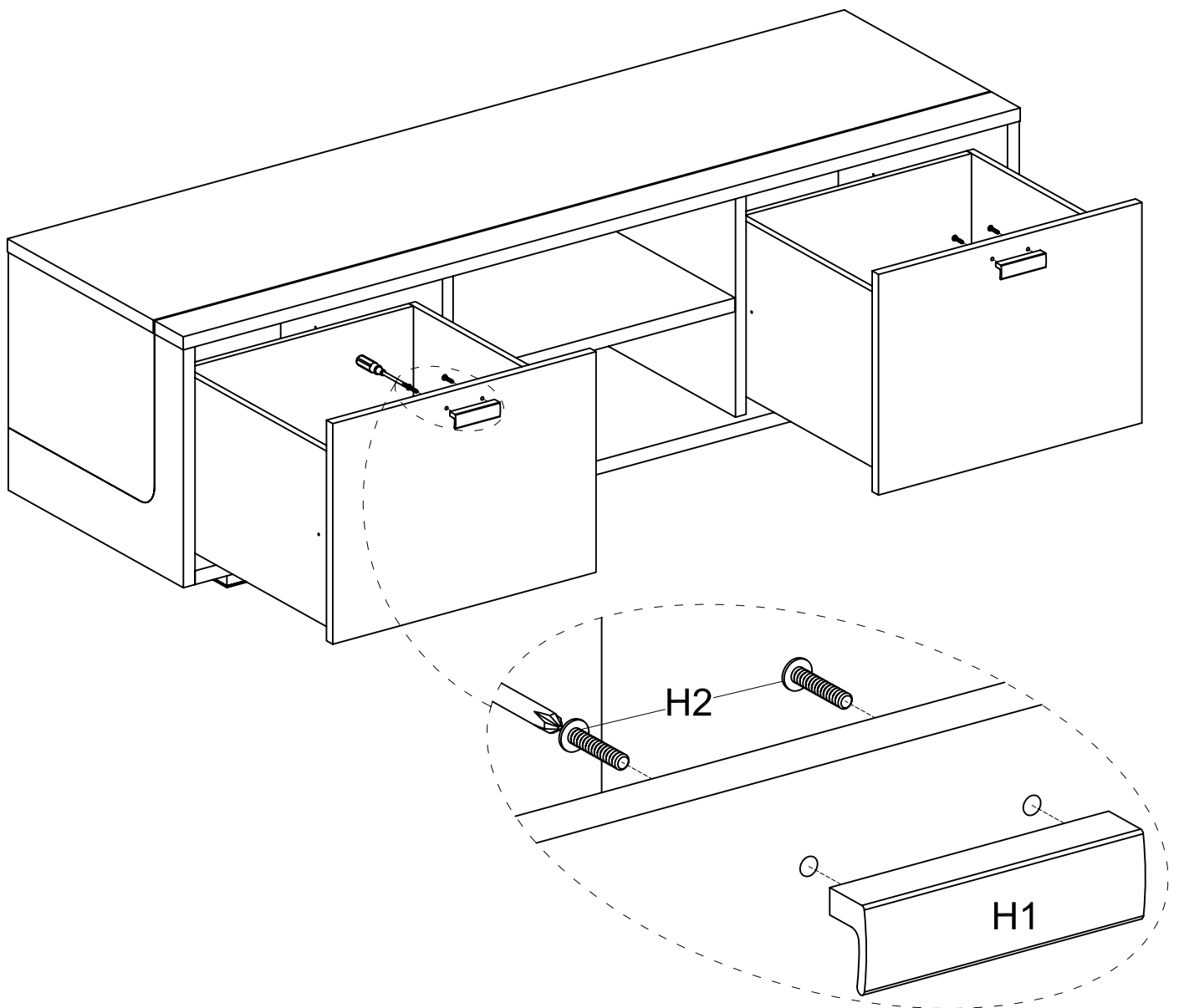


STEP 2

YOU WILL NEED:	
2 x H1	
4 x H2	22mm 



TOOLS NOT INCLUDED



STEP 3

