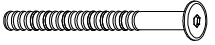


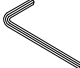


# ASSEMBLY INSTRUCTIONS

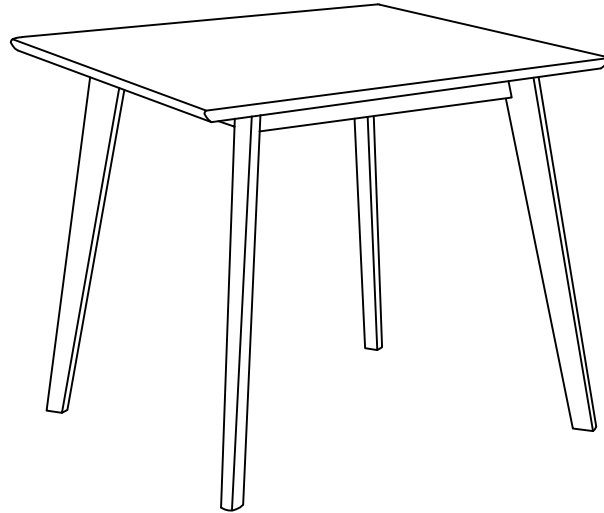
## MODEL : SIMBA TABLE

### IMPORTANT NOTE :

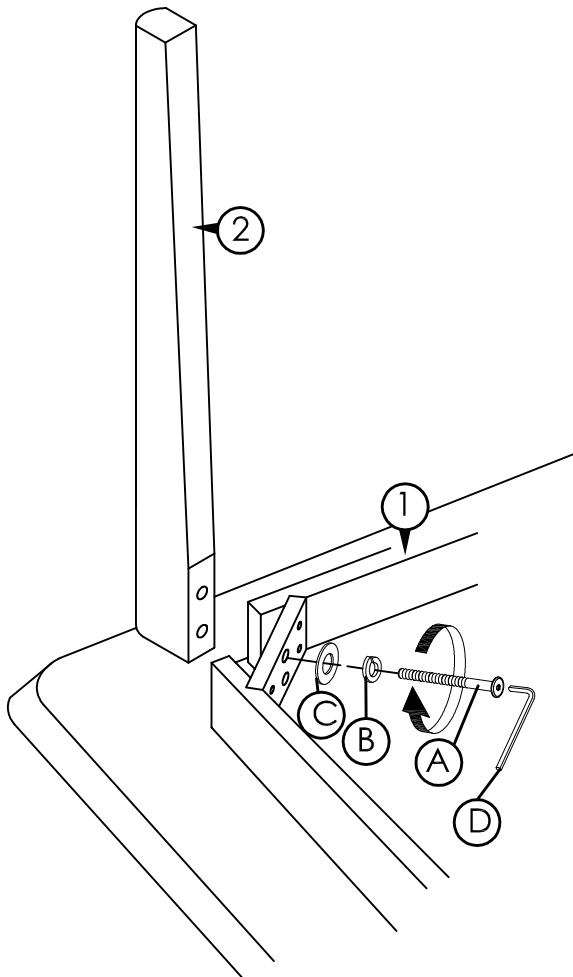
- \* PLACE ALL WOODEN PARTS ON A CLEAN AND SMOOTH SURFACE SUCH AS A RUG OR CARPET TO AVOID THE PARTS FROM BEING SCRATCHED.
- \* BEFORE YOU BEGIN, KINDLY FOLLOW THE ASSEMBLY INSTRUCTIONS STEP BY STEP.

| HARDWARE LIST |   |      |
|---------------|---|------|
| A             | JCBB SCREW M8 x 80mm<br> | 8PCS |
| B             | SPRING WASHER 5/16"<br>  | 8PCS |
| C             | FLAT WASHER 5/16"<br>    | 8PCS |
| D             | ALLEN KEY M5<br>         | 1PC  |

| PART LIST |           |      |
|-----------|-----------|------|
| 1         | TABLE TOP | 1PC  |
| 2         | TABLE LEG | 4PCS |



COMPLETED TABLE



### INSTRUCTION :-

#### ( STEP 1 )

Place Table Top (1) face down on a clean and flat surface to prevent from being scratched.

#### ( STEP 2 )

Position Table Leg (2) with E-Nut holes facing to Corner Block holes of Table Frame , then insert JCBB Screw (A) with Spring Washer (B), Flat Washer (C) then tighten with Allen Key (D) provided.

#### ( STEP 3 )

Repeat Step 2 for other 3 legs assembly.

#### ( STEP 4 )

Revert the table for completion of table assembly.