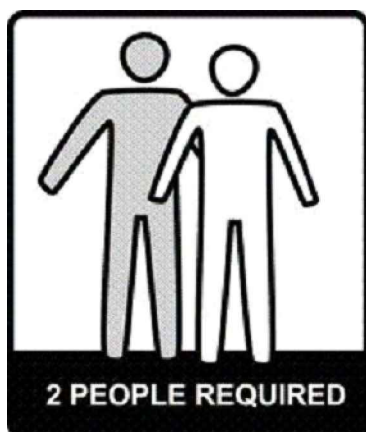
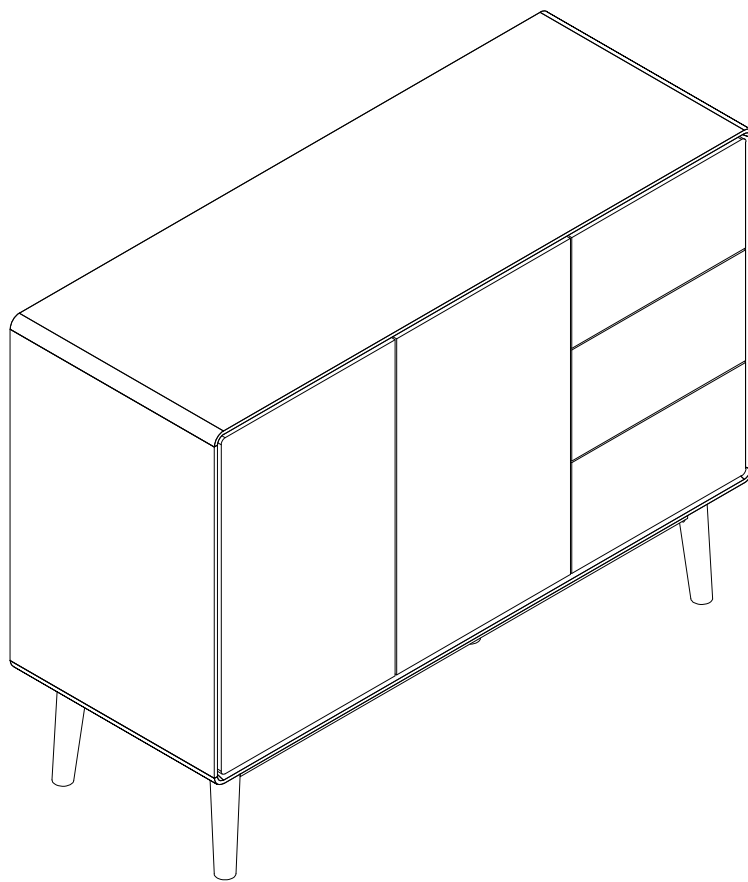


Assembly Instructions

ZARA

SMALL BUFFET / BBG699-30AK



jar furniture

WARNING

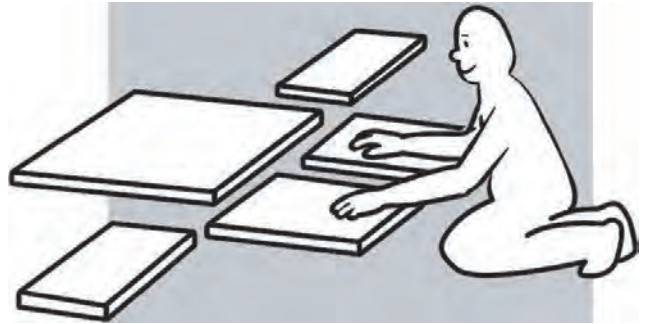
FAILURE TO FOLLOW THESE BASIC STEPS CAN LEAD TO DAMAGE THAT IS NOT COVERED BY YOUR WARRANTY

1



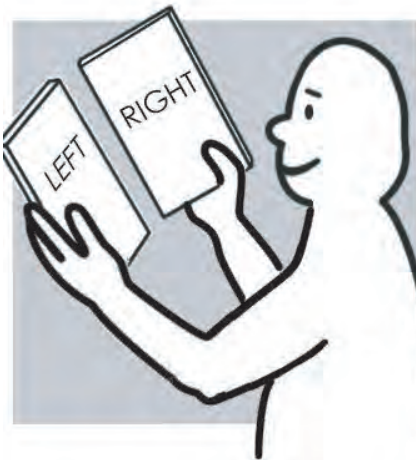
Read Instructions carefully. Check no parts are missing.

2



Lay out all of the components on a soft surface as if you were preparing to do a jigsaw puzzle.

3



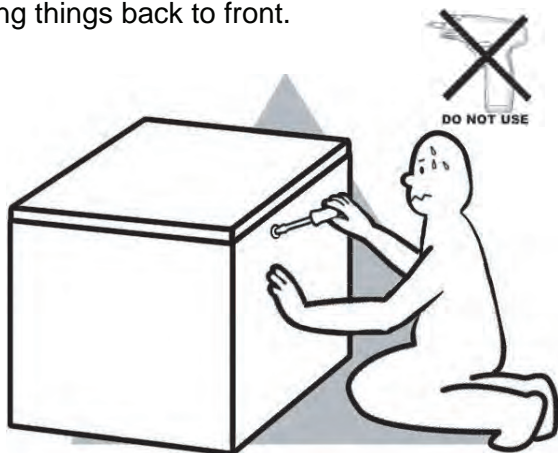
Carefully identify each component, especially those that are similar. The most common mistake is getting things back to front.

4



Separate and identify each component from the hardware pack and rest each one in its proper location before fastening.

5



DO NOT fully tighten screws (leave slightly loose). When the item is fully assembled tighten the screws - but do not over tighten.

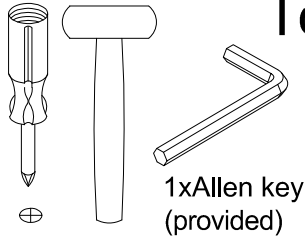
6



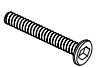
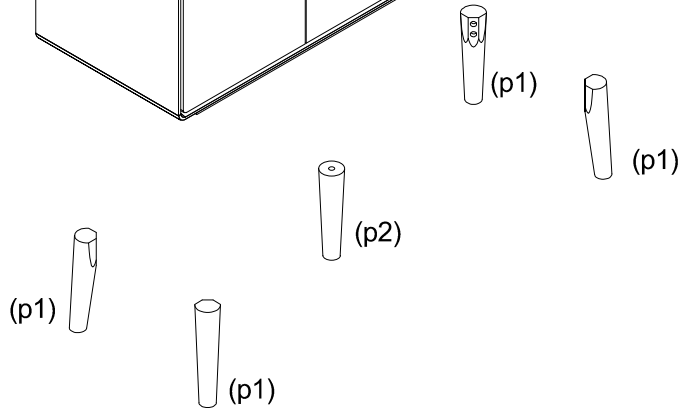
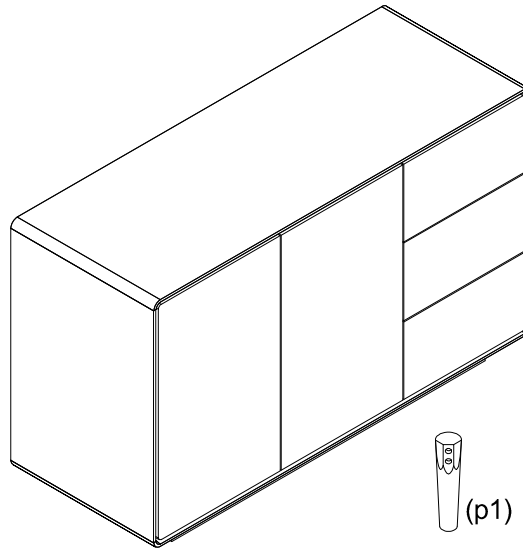
If glue is required **DO NOT** set until you are certain that the parts belong together.

What you Need


To Assemble the Body




(Tools not provided)
Flat BladeScrewdriver
Phillips Head Screwdriver
Mallet



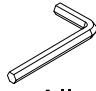
8 xMedium
Allen Bolts
(H1)




8 x Washers
(H2)




8 x Washers
(H3)



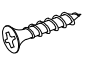
1 x Allen key
(H4)



1 x
Allen Bolts
(H5)



2 x Safety
strap
(H6)



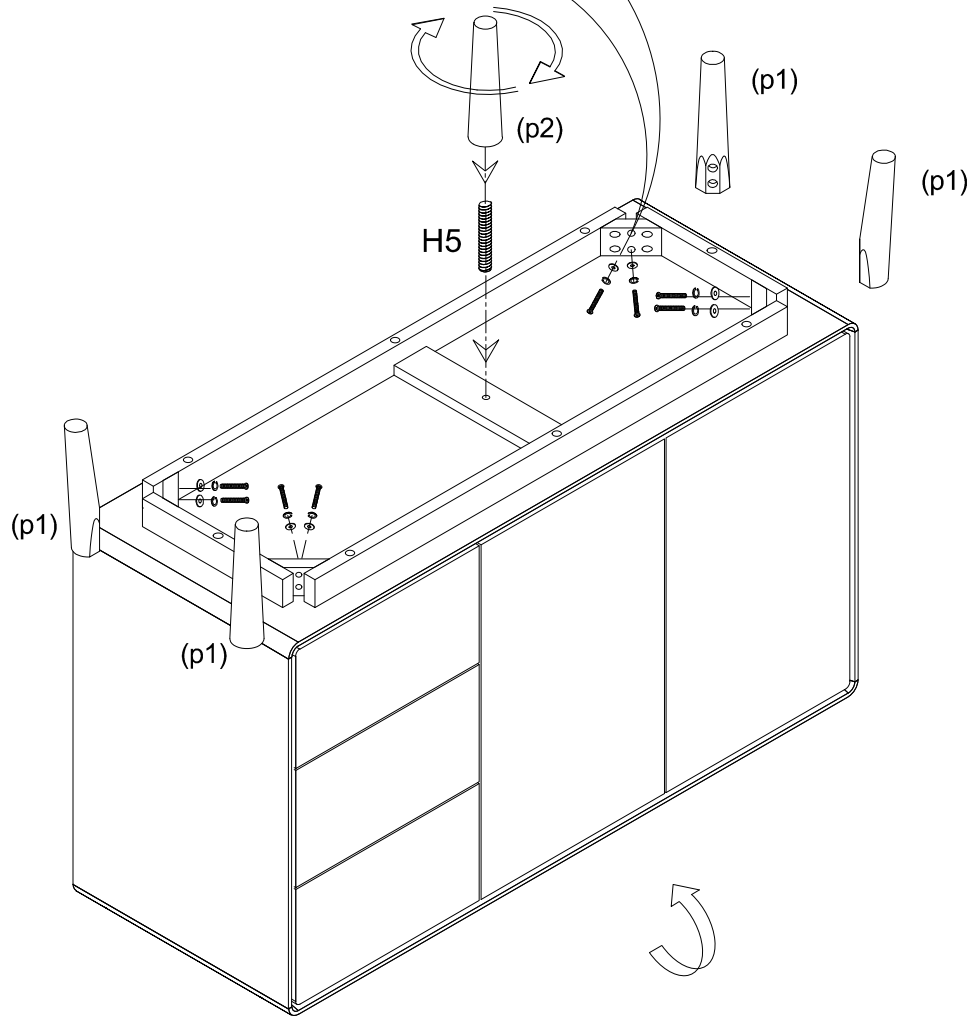
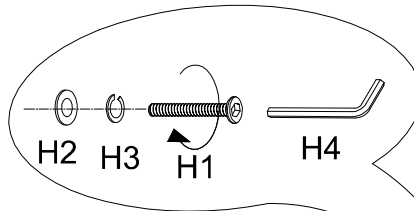
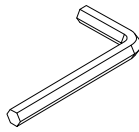
2 x
Timber Screws
(H7)

Please make sure you have all these parts before you start.

Step 1



You Will need:

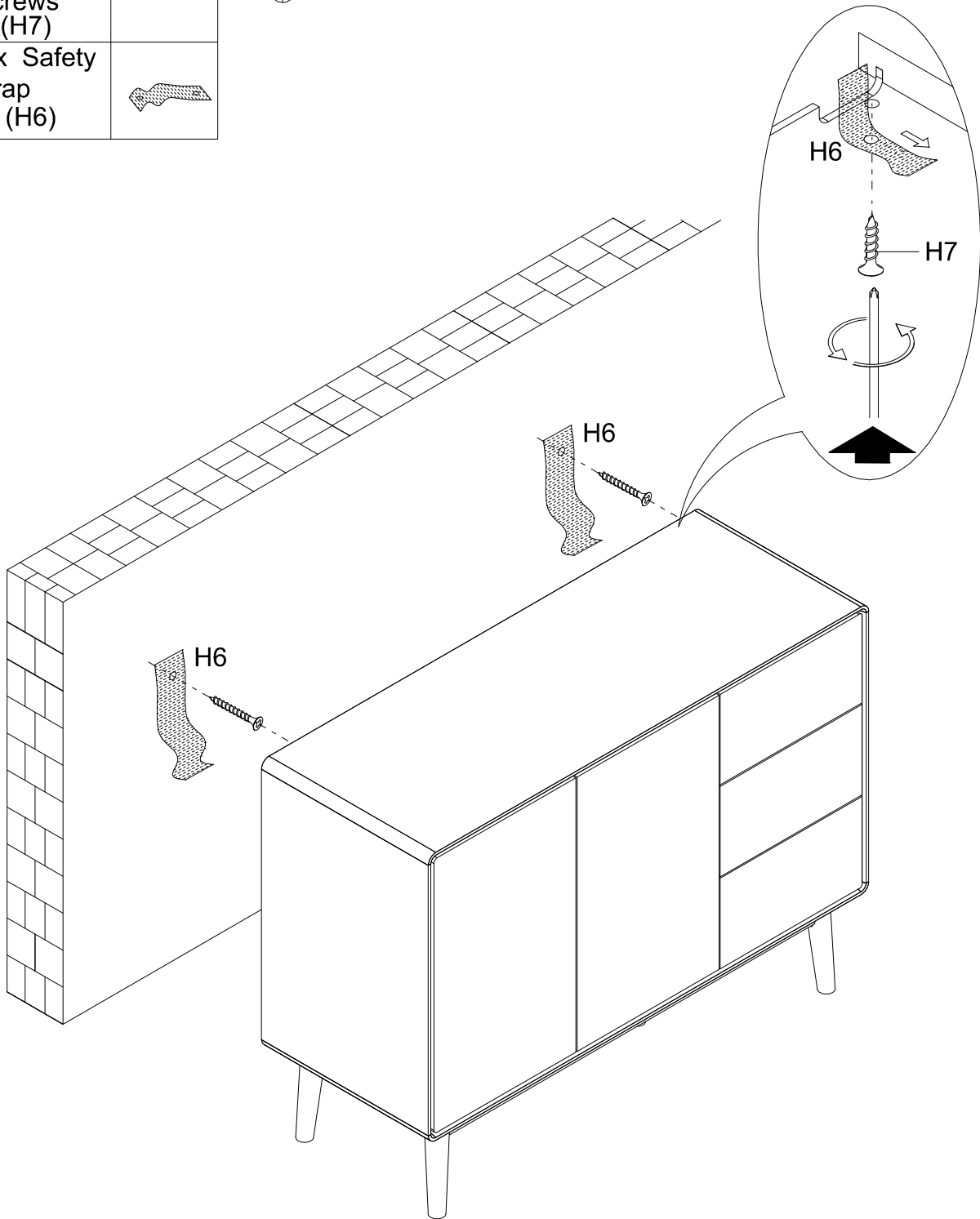
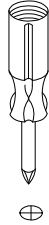
1 x Allen key (H4)	
8 x Allen Bolts (H1)	
8 x Washers (H2)	
8 x Washers (H3)	
1 x Allen Bolt (H5)	



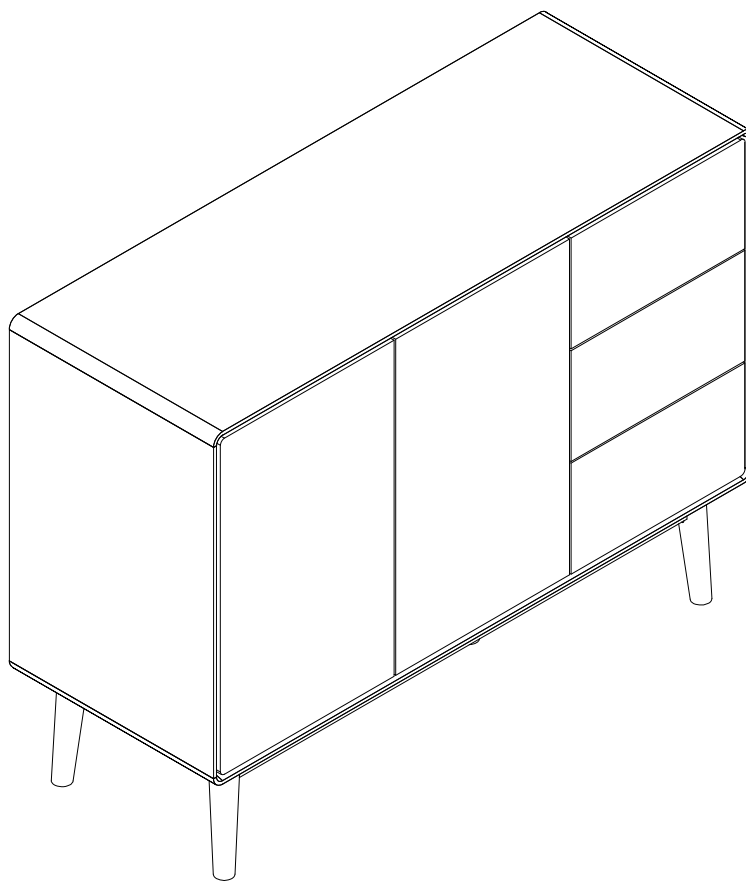
Step 2

You Will need:

2 x Timber Screws (H7)	
2 x Safety strap (H6)	



Step 3



The job is complete!

In the interest of our environment
Please dispose of all packaging thoughtfully