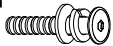
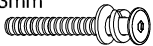





ASSEMBLY INSTRUCTIONS

MODEL : CODY DINING CHAIR

IMPORTANT NOTE :

- * PLACE ALL WOODEN PARTS ON A CLEAN AND SMOOTH SURFACE SUCH AS A RUG OR CARPET TO AVOID THE PARTS FROM BEING SCRATCHED.
- * BEFORE YOU BEGIN, KINDLY FOLLOW THE ASSEMBLY INSTRUCTIONS STEP BY STEP.
- * DO NOT TIGHTEN ALL SCREWS UNTIL THE CHAIR IS FULLY SET-UP.

| HARDWARE LIST | | PART LIST | |
|---------------|---|-----------|------------------------------|
| A | JCBC M6 x 25mm + S/W M6 + F/W M6 x 13mm  | 4PCS | 1 RIGHT SIDE FRAME 1PC |
| | | | 2 LEFT SIDE FRAME 1PC |
| | | | 3 FRONT STRETCHER (LONG) 1PC |
| B | JCBC M6 x 45mm + S/W M6 + F/W M6 x 13mm  | 4PCS | 4 BACK STRETCHER (SHORT) 1PC |
| | | | 5 TOP REST 1PC |
| C | ALLEN KEY M4  | 1PC | 6 CUSHION SEAT 1PC |
| D | L BRACKET  | 4PCS | |
| E | CSK SCREW M3.5 x 12mm  | 8PCS | |

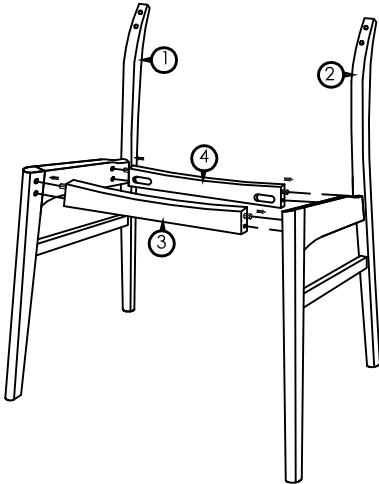
CAUTIONS :

(1) **DO NOT FULLY-TIGHTEN THE NUT OR NUT BOLTS INITIALLY UNTIL ALL NUTS OR BOLT IS READY ASSEMBLED.**

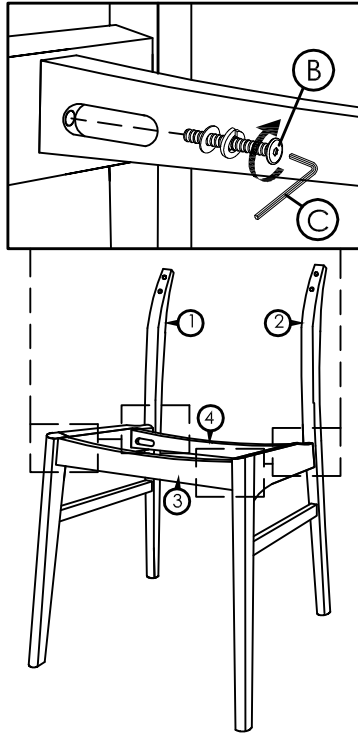
(TO AVOID CAUSING DAMAGES TO THE THREAD, DO NOT OVER-TIGHTEN THE NUTS OR BOLTS.)

(2) **KEEP ALL HARDWARE PART OUT OF REACH OF CHILDREN.**

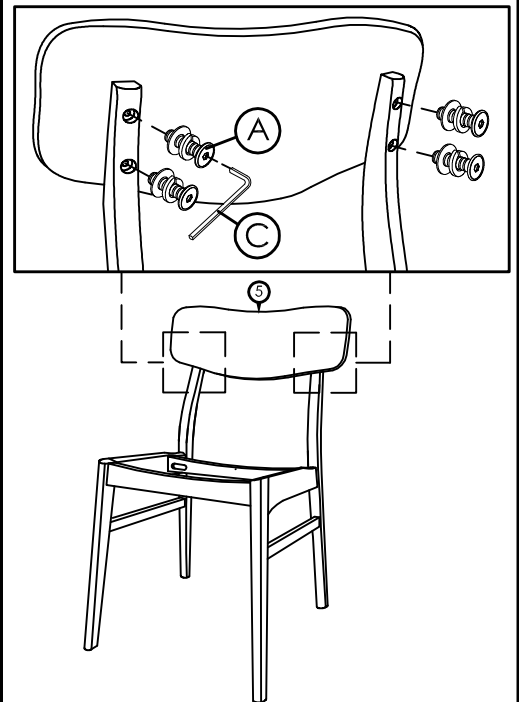
STEP 1



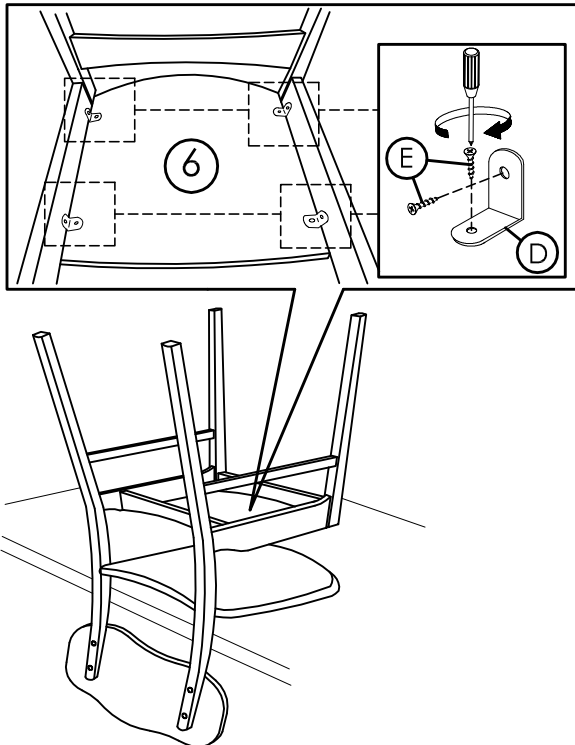
STEP 2



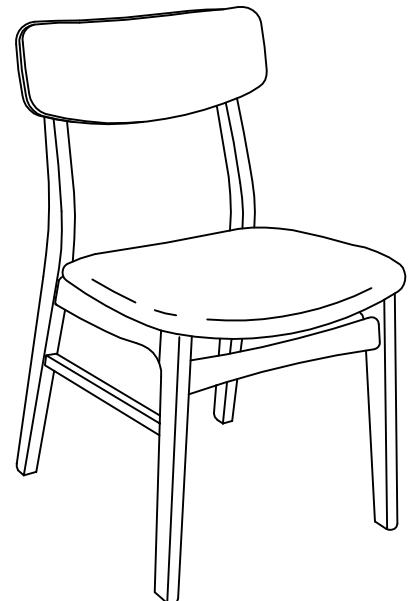
STEP 3



STEP 4



STEP 5



COMPLETED
CHAIR ASSEMBLY.