

ASSEMBLY INSTRUCTIONS

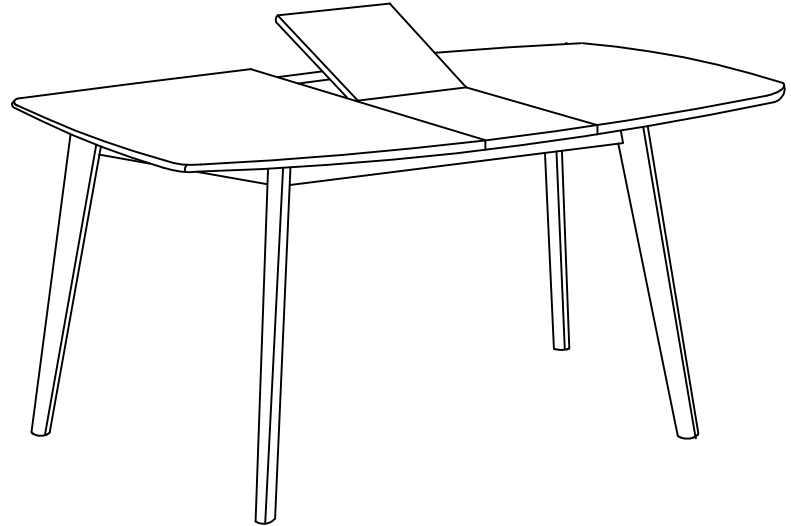
MODEL : CODY BUTTERFLY EXT TABLE

IMPORTANT NOTE :

- * PLACE ALL WOODEN PARTS ON A CLEAN AND SMOOTH SURFACE SUCH AS A RUG OR CARPET TO AVOID THE PARTS FROM BEING SCRATCHED.
- * BEFORE YOU BEGIN, KINDLY FOLLOW THE ASSEMBLY INSTRUCTIONS STEP BY STEP.

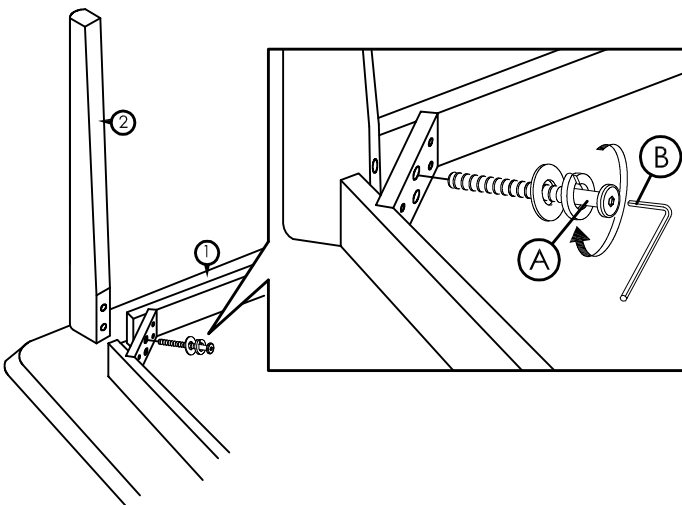
HARDWARE LIST		
A	JCBB M8 x 80mm + S/W 5/16" + F/W 5/16" x 22mm	8PCS
B	ALLEN KEY M5	1PC

PART LIST		
1	TABLE TOP	1PC
2	TABLE LEG	4PCS

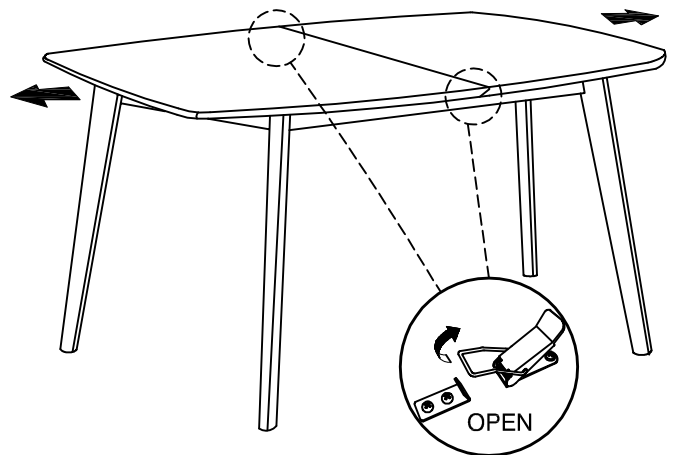


COMPLETED TABLE ASSEMBLY.

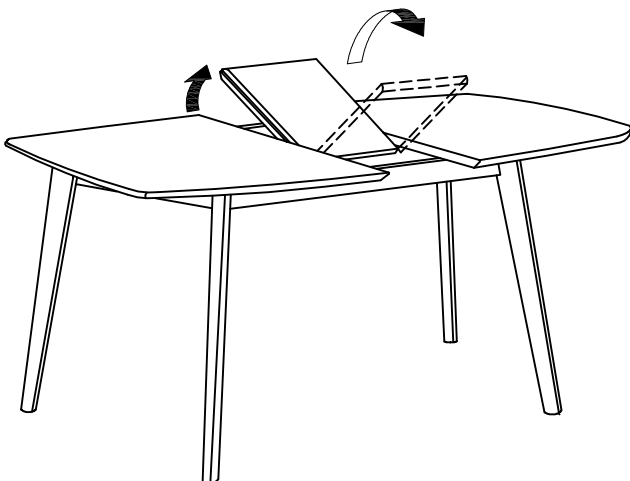
STEP 1



STEP 2



STEP 3



STEP 4

